

Palm Grip B36



The Palm Grip B36 has different equipment options for many requirements. It is compatible with our Multi-Axis Controller or mounted on hydraulic drives. The Palm Grip has a highly flexible single wire (0,1 mm², 450 mm long). The mounting piece for the drive rod can be supplied with a tapped hole 12 mm (standard) or 10 mm.



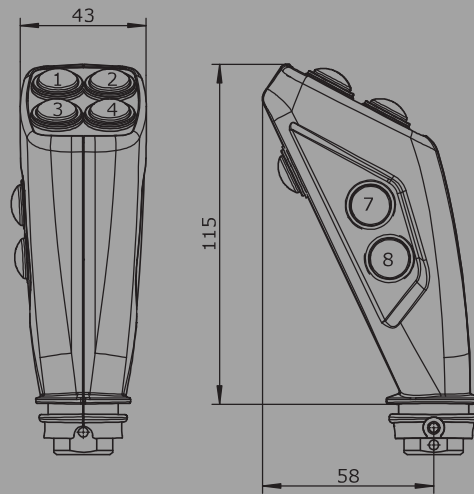
Technical data

Operating temperature	-40°C to +85°C
Degree of protection	Control element up to IP67
Contact complement	1,5A 24 V DC 13 (*1 0,1A 24 V DC13)

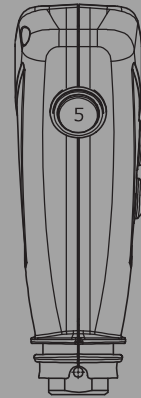
		Example							
		B36	-2D	W	K	SE	S12	H13	-X
Basic unit									
B36	Palm Grip								
Digital actuating element									
D	Push Button KDA21 *1 Colour: red, black, yellow, green, blue, white, orange								
HD	Hall-Push Button (see page 158)								
W	Rocker switch momentary (T) or maintained (R), colours: red, black, yellow, blue, white Mechanical functions: T-0-T, 0-T, R-0-T, R-0-R, 0-R, R-R								
SE	Sensor Button capacitive with external control electronics								
S	Sensor Button capacitive without external control electronics (Consistent with V85 / VV85 with interface E1xx to E7xx, E907 and V25/V27 with interfaces E3xx + E4xx + E6xx + E7xx + E907)								
V	Vibration								
Analog actuating element									
S12	Thumbwheel, output 0,5...2,5...4,5 V inverse dual (see page 153)								
S16	Thumbwheel, output 0,5...2,5...4,5 V inverse dual (see page 156)								
V21	Mini-Joystick, output 0,5...2,5...4,5 V inverse dual (see page 142)								
HK	Hall-Cross Switch (see page 150)								
H13	Hall-Rotary Grip, output 0,5...2,5...4,5 V inverse dual								
Special model									
X	Special / customer specified								

B36R

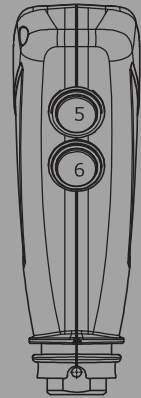
Hall push button installed Pos. 1-5
Hall push button installed Pos. 7-8



Hall push button installed Pos. 5

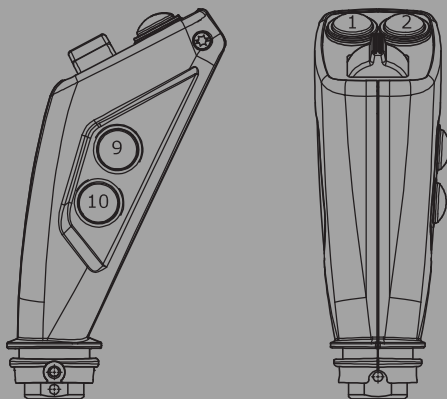


Hall push button installed Pos. 5-6

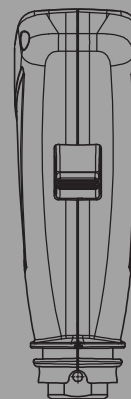


B36L

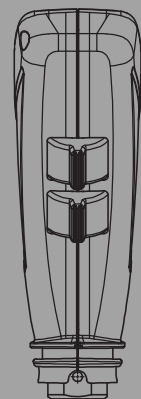
Hall push button installed Pos. 1+2, 9+10
Rocker S12 installed Pos. 3-4



Rocker S12 installed Pos. 6



Rocker S12 installed Pos. 5+6



Edition: B36
Rocker S12 installed Pos. 1-3
Rocker S12 installed Pos. 2-4



Edition: B36
Rocker S12 installed Pos. 1-2
Rocker S12 installed Pos. 3-4



Edition: B36
Rocker S12 installed Pos. 1-3
Hall push button installed Pos. 2+4



Edition: B36
Rocker S12 installed Pos. 1-2
Hall push button installed Pos. 3+4

