



Type V10L-01ZP+01ZP-...

The multi-axis controller V 10 is a rugged switching device according IEC/EN 60947-5-1 for remote control and electro-hydraulic applications.
The V 10 is resistant to oil, maritime climate, ozone and UV radiation.

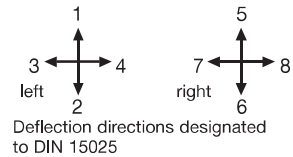
Contact complement 0,5 A 110 V AC 15 or 1,5 A 24 V DC 13
I min > 0,2 mA 2 V DC 12 Gold plated for max. load of 0,12 Watt (standard)

Mechanical life 8 million (operating cycles)
Permissible ambient temperature Operation -40° C to +60° C
Storage -50° C to +80° C

Climate resistance
Damp heat constant IEC 60068-2-78
Damp heat cyclic IEC 60068-2-30
Degree of protection front IP 54 IEC/EN 60529

Technical data see catalog 4/100
Description data see catalog 4/020

Spindle block with schematic representation of the master controller installation and deflection directions.
Version shown for left-hand side installation (right-hand side installation is mirror image).



1

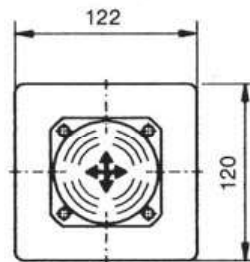
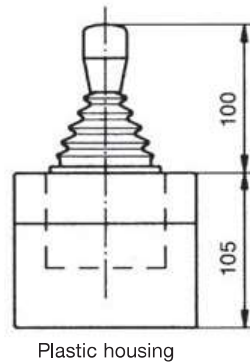
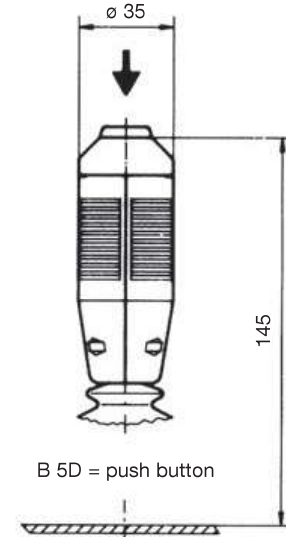
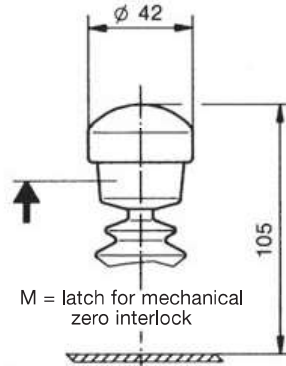
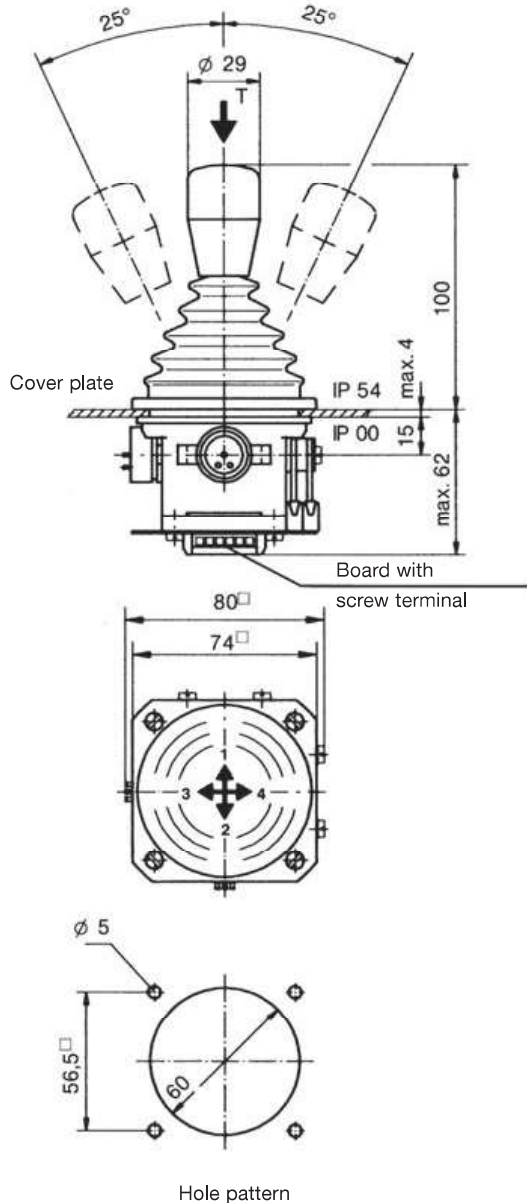
Pos.	V 10.1	V 10	Type expansion	Weight gramm	Type	Price EURO
1				200	V 10.1	
2						
3				250	V 10	
4						
5						
7.1	Multi-axis controller left	(dir. 1-2, 3-4)			L	
7.2	Multi-axis controller right	(dir. 5-6, 7-8)			R	
10	Gate cross-shaped	(prohibits diagonal shifting)		20	P	
11	Gate special-shaped	(e.g. H-gate)		20	PX	
20	Control-handle with knob solid					
21	Control-handle with latch for mechanical zero interlock by lifting			50	M	
21.1	Control-handle with dead man's button 1 NO			80	T	
23						
24						
25						
26	Control-handle with palm grip B 5			40	B 5	
27	Control-handle with palm grip B 5 with push button top 1 NO			60	B 5D	
28						
29	More knobs, grips and T-grips with and without signal devices see catalog 1/270ff					
30	Masterswitch (contact) without switching sequence		No. of contacts	20	01	
31			4	40	02	
32	Direction 1-2 and 3-4 each 1 masterswitch		6	60	03	
33	Switching program according contact-arrangement MS... see catalog 4/001		A...			
34	or to your contact-arrangement					
35						
36	Switching sequence 4-0-4					
38	Spring return in 0-position	(included in the spindle block)			Z	
39	Friction brake adjustable	(for each direction)			R	
40	Potentiometer e.t.c. each direction with mounted Conductive-plastic potentiometer T 320, with centre tap linear 0,5 Watt wiper current max. 1 mA resistance 2 x 1k $\hat{=}$ P252, 2 x 5k $\hat{=}$ P254		...P25 \square	20	P	
41						
42						
43	more Potentiometer e.t.c. see catalog 1/240ff		P...			
45	Electronic (Amplifier, Profi-Bus, CAN-Bus) see catalog 3/510ff		E...			
50	Plastic housing I 122 x 120			350	I	
51						
52	More housing see catalog 1/350					
60	Indicating labels not engraved with 2 or 4 arrows					
61	Engraving, each 10 characters					
70	Command and indicating devices see catalog 1/360					



Knob solid
T = dead man's button

Ball grip

Palm grip B 5



1

