

The Fingerpilot FP1 is an ergonomic CAN bus operating unit for controlling a wide range of applications such as hydraulic functions. The FP1 can be combined with our C1 control panel or used as a stand-alone device. The device has external inputs and outputs. This means that additional operating elements placed in the periphery can be integrated into the CAN system.

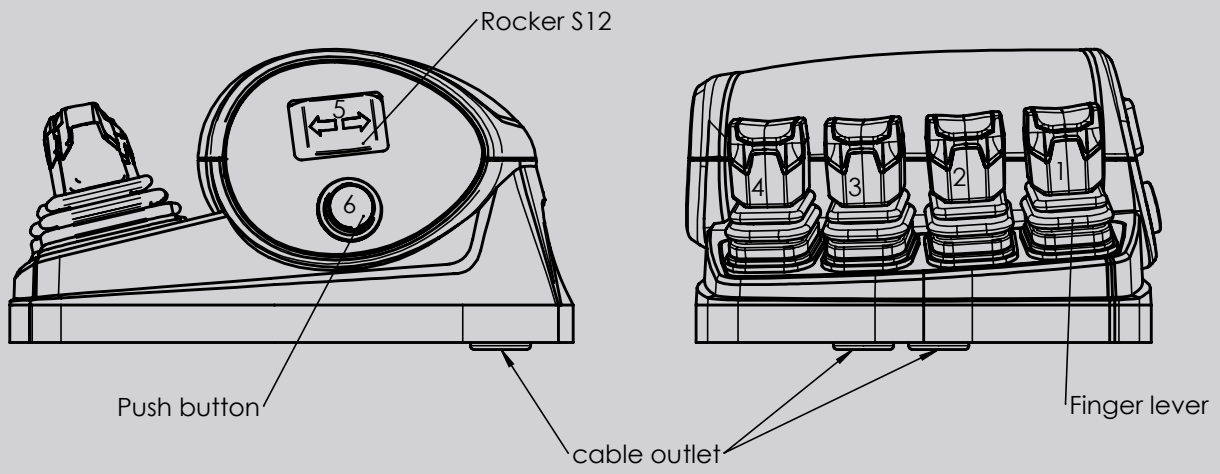
Technical data

Operation temperature	-40°C to +85°C
Degree of protection	Operating element up to IP67



		Example					
		FP1	-HD	S12	4S15	E3181	-X
Basic unit							
FP1	Fingerpilot						
Digital actuating element							
D	Push button KDA21 (0,1A 24VDC13) Colour: red, black, yellow, green, blue, white, orange						
HD	Hall-Push Button (see page 160)						
W	Rocker switch momentary (T) or maintained (R), colours: red, black, yellow, blue, white Mechanical functions: T-0-T, 0-T, R-0-T, R-0-R, 0-R, R-R						
Analog actuating element							
S12	Thumbwheel, output 0,5...2,5...4,5 V inverse dual (see page 155)						
S15	Thumbwheel, output 0,5...2,5...4,5 V inverse dual (see page 148)						
S16	Thumbwheel, output 0,5...2,5...4,5 V inverse dual (see page 158)						
CAN							
Supply voltage	9-32 V DC						
Idle current consumption	50 mA (24V DC)						
Protocol	CANopen CiA DS 301 or SAE J1939 (based on or CANopen Safety EN50325-5)						
Baud rate	20 KBit/s to 1 Mbit/s (standard 250KBit/s)						
CAN						E3181	
- 8 analoge joystick axis							
- 16 digital joystick functions							
With additional external in-/outputs							
- 8 external LED-outputs (dimnable optional), 1 switching output (potential-free, 100 mA), 8 external digital inputs							2
- 16 external LED-outputs (dimnable optional), 1 switching output (potential-free, 100 mA), 16* external digital inputs (Control of integrated RGB LEDs possible on request)							3
CAN Safety						E418 1	
- 7 analog joystick axis							
- 16 digital joystick functions							
With additional external in-/outputs							
- 8 external LED-outputs (dimnable optional), 1 switching output (potential-free, 100 mA), 8 external digital inputs							2
- 16 external LED-outputs (dimnable optional), 1 switching output (potential-free, 100 mA), 16 external digital inputs (Control of integrated RGB LEDs possible on request)							3
Special model							
X	Special / customer specified						

Technical details may vary based on configuration or application! Technical data subject to change without notice!



hole pattern

