

# Control Unit

## KST 32 swiveling

### with memory-function



The KST32 is an ergonomically designed swiveling control chair which provides a high degree of comfort. The seating system ensures a comfortable posture and a healthy working position. The control stand is equipped with a memory system. Three seat positions can be saved for each driver. Each driver can save these to an RFID memory chip.

Electrically adjustable functions:

- => inclination of the backrest
- => Inclination of the seat
- => Inclination of the two control panels
- => Horizontal adjustment of the seat incl. the consoles
- => Horizontal adjustment of the seat without consoles

The consoles attached to the driver's seat swing with the seat.

Cross-member with swivel base:

The cover of the sheet steel cross-member including the Driver's Seat forward foldable. Thereby all wirings, terminals and bushings are easily accessible during commissioning and maintenance. Swivel base has zero-clearance bearings and rotation can be locked in 2° steps.

Surface treatment:

- Base coat and textured varnish
- Standard colour RAL 9011 black



Example

KST322 -U3 -M1 -F3 -LK / KFS 15 / V85 / V85 / KL / X

	KST322	-U3	-M1	-F3	-LK	/	KFS 15	/	V85	/	V85	/	KL	/	X
<b>Basic unit</b>															
KST322	Control Unit with console 200x450 mm														
<b>Base unit</b>															
U2	Swiveling 90° left, 180° right with detent incl. 2-step release														
U3	Electric swiveling 90° left, 180° right														
U4	Non swiveling														
<b>Attachments</b>															
M1	Monitor mounting with monitor housing														
M2	Monitor mounting with monitor mounting bracket														
M3	Monitor mounting without monitor housing/ -mounting bracket														
F3	Footrest KBF/716														
F4	Glass footrest version														
H	Heater 2 x 1 kW with ventilator														
LK	Plate for horizontal manual adjustment for control units +/- 250 mm														
<b>Driver's Seat</b>															
KFS15*	(Included in the delivery!)														
<b>Mounting for equipment boxes</b>															
V...	Multi-Axis Controller (see section joysticks)														
S...	Single-Axis Controller (see section joysticks)														
D...	Double-Handle Controller (see section joysticks)														
N...	Control-Switch (see page 120)														
...	More command and indicating devices (see page 144 and 289)														

Technical details may vary based on configuration or application! Technical data subject to change without notice!

# Control Unit

## KST 32 swiveling

### with memory-function

# GESSMANN®

KST322 -U3 -M1 -F3 -LK / KFS 15 / V85 / V85 / KL / X

#### Wiring

KL	Without wiring, but terminal block built in each terminal
KL V	On terminal block 4 mm <sup>2</sup> with single wire 1 mm <sup>2</sup> each terminal
KL V	On SPS (SPS provision) with single wire 1 mm <sup>2</sup> each terminal
KLVA	External wiring single wire highly flexible 1,5 mm <sup>2</sup> , 5 m long each terminal Additional-/ reduction price per meter

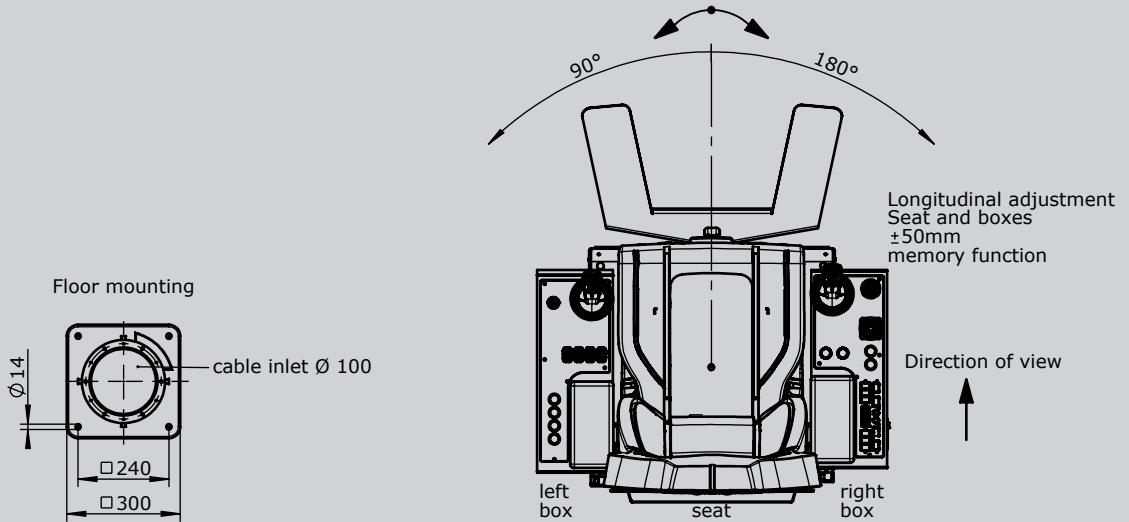
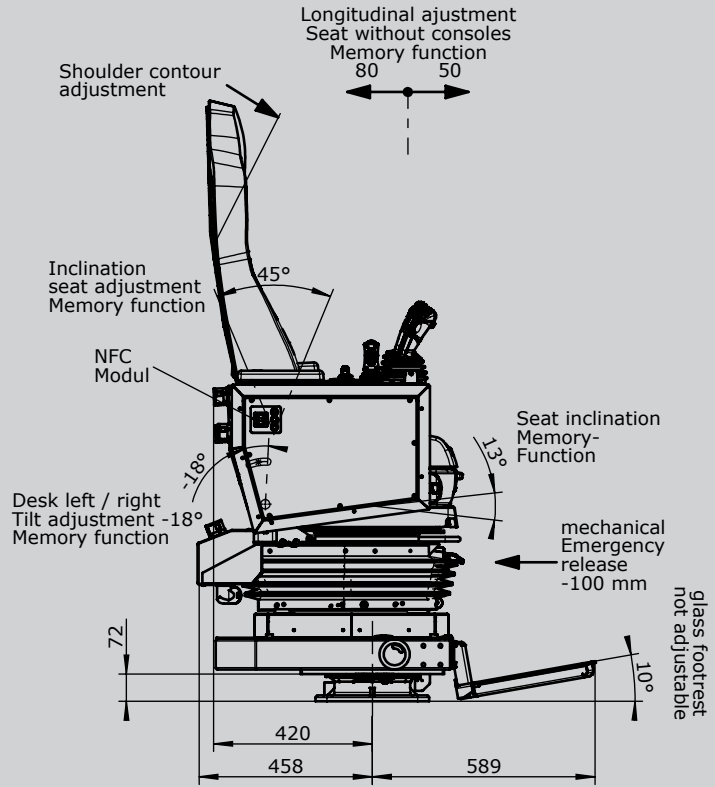
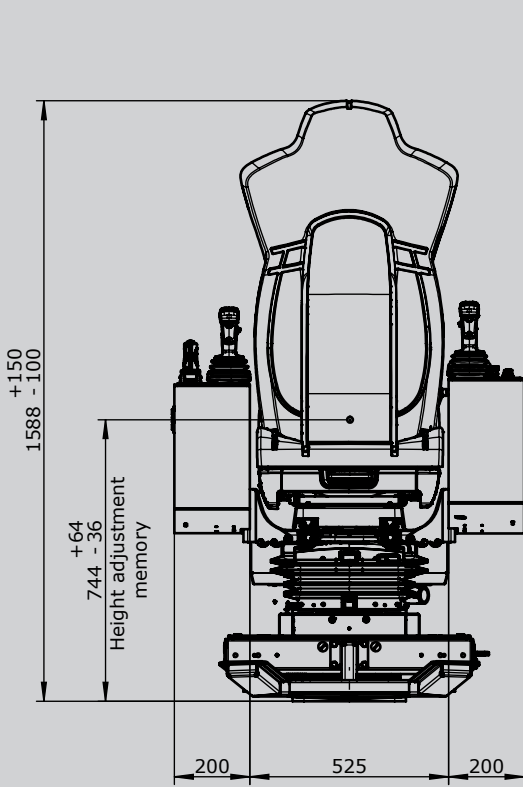
#### Special model

X	Special / customer specified
X	Special painted

# Control Unit

## KST 32 swiveling

### with memory-function



Technical details may vary based on configuration or application! Technical data subject to change without notice!