

# Palm Grip B20



The Palm Grip B20 has different equipment options for many requirements. It is compatible with our Multi-Axis Controller or mounted on hydraulic drives. The Palm Grip has a highly flexible single wire (0,1 mm<sup>2</sup>, 450 mm long). The mounting piece for the drive rod can be supplied with a tapped hole 12 mm.

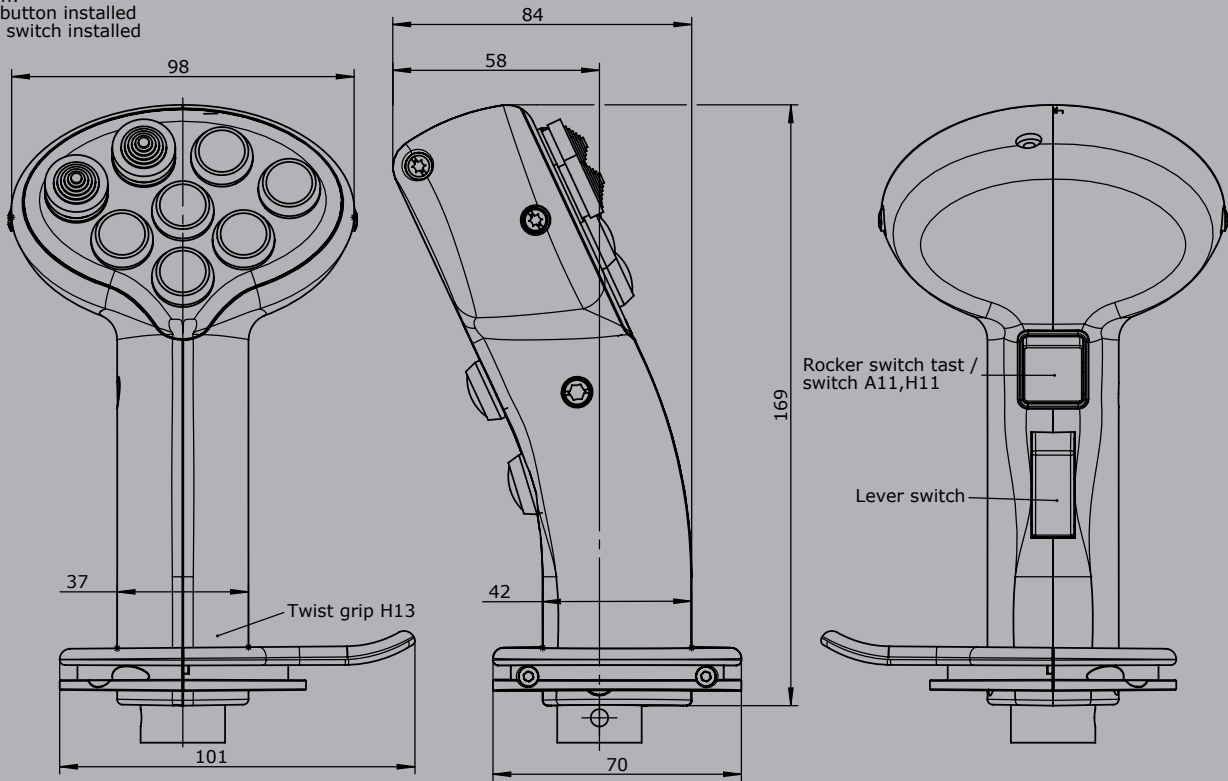
## Technical data

Operating temperature	-40°C to +85°C
Degree of protection	Control element up to IP67
Contact complement	1,5A 24 V DC13 (*1 0,1A 24 V DC13)

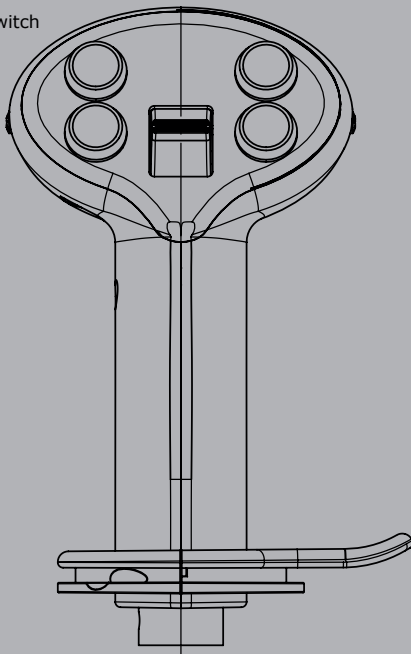


		Example						
		B20L	-2D	W	K	V21	H13	-X
<b>Basic unit</b>								
B20L	Palm Grip left with hand pad							
B20R	Palm Grip right with hand pad							
<b>Digital actuating element</b>								
D	Push Button KDA21 *1 Colour: red, black, yellow, green, blue, white, orange							
HD	Hall-Push Button (see page 151)							
W	Rocker switch momentary (T) or maintained (R), colours: red, black, yellow, blue, white Mechanical functions: T-0-T, 0-T, R-0-T, R-0-R, 0-R, R-R							
K	Lever switch							
SE	Sensor Button capacitive with external control electronics							
S	Sensor Button capacitive without external control electronics (Consistent with V85 / VV85 with interface E1xx to E6xx, E907 and V25/V27 with interfaces E3xx + E4xx+E907)							
<b>Analog actuating element</b>								
S12	Thumbwheel, output 0,5...2,5...4,5 V inverse dual (see page 146)							
S16	Thumbwheel, output 0,5...2,5...4,5 V inverse dual (see page 149)							
V21	Mini-Joystick, output 0,5...2,5...4,5 V inverse dual (see page 137)							
HK	Hall-Cross Switch (see page 143)							
P9	Thumbwheel with potentiometer							
H13	Hall-Rotary Grip Output 0,5...2,5...4,5 V inverse dual							
<b>Special model</b>								
X	Special / customer specified							
<b>Attachments</b>								
Z01	Bellow KMD 109					10300009		
Z02	Bellow KMD 190					10300093		
Z03	Rosette KBF 905 with 4 screws M5 x 15 necessary for bellow KMD 190					5209900404		

Edition:  
Push button installed  
Cross switch installed



Edition:  
Hall rocker switch  
Push button



Edition:  
Multi-axis controller V21  
Potentiometer drive PA9  
Push button

