



The Palm Grip B25 has different equipment options for many requirements. It is compatible with our Multi-Axis Controller or mounted on hydraulic drives. The Palm Grip has a highly flexible single wire (0,1 mm², 450 mm long). The mounting piece for the drive rod can be supplied with a tapped hole 12 mm (standard) or 10 mm.



Technical data

Operating temperature	-40°C to +85°C
Degree of protection	Control element up to IP67
Contact complement	1,5A 24 V DC 13 (*1 0,1A 24 V DC13)

		Example							
		B25L	-2D	W	K	SE	V21	H13	-X
Basic unit									
B25L	Palm Grip left								
B25R	Palm Grip right								
Digital actuating element									
D	Push Button KDA21 *1 Colour: red, black, yellow, green, blue, white, orange								
HD	Hall-Push Button (see page 151)								
W	Rocker switch momentary (T) or maintained (R), colours: red, black, yellow, blue, white Mechanical functions: T-0-T, 0-T, R-0-T, R-0-R, 0-R, R-R								
K	Lever switch								
SR	Sliding switch R-O-R								
ST	Sliding switch T-0-T								
SE	Sensor Button capacitive with external control electronics								
S	Sensor Button capacitive without external control electronics (Consistent with V85 / VV85 with interface E1xx to E6xx, E907 and V25/V27 with interfaces E3xx + E4xx+E907)								
V	Vibration								
Analog actuating element									
S12	Thumbwheel, output 0,5...2,5...4,5 V inverse dual (see page 146)								
S16	Thumbwheel, output 0,5...2,5...4,5 V inverse dual (see page 149)								
V21	Mini-Joystick, output 0,5...2,5...4,5 V inverse dual (see page 137)								
HK	Hall-Cross Switch (see page 143)								
H13	Hall-Rotary Grip, Output 0,5...2,5...4,5 V inverse dual								
CAN									
Supply voltage	9-32 V DC								
Idle current consumption	80 mA (24 V DC)								
Current carrying capacity	External digital output for LEDs 5 mA - 30 mA (dependent on the number of LEDs)								
Protocol	CANopen CiA DS 301, SAE J1939 (based on) or CANopen Safety EN50325-5								
Baud rate	20 kBit/s to 1 Mbit/s (standard 250 kBit/s)								
CAN		E313 1	CANopen Safety				E412 1		
- 5 analoge joystick axis			- 5 analog joystick axis						
- 24 digital joystick functions			- 24 digital joystick functions						
Additional with 16 LED-outputs		2	Additional with 16 LED-outputs					2	
Special model									
X	Special / customer specified								

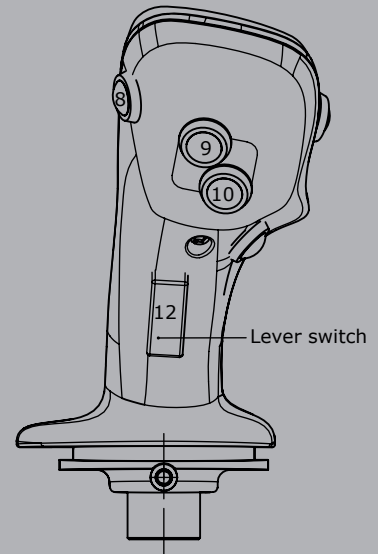
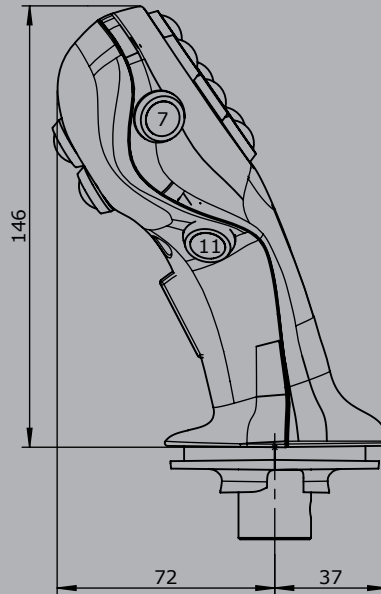
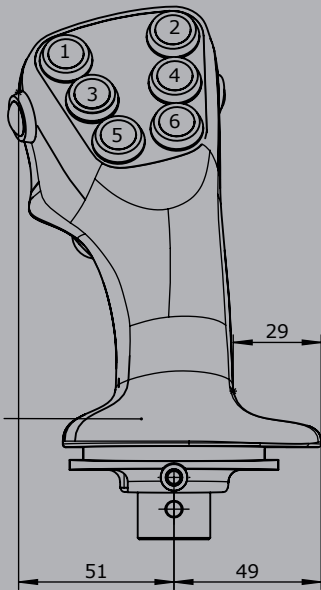
Technical details may vary based on configuration or application! Technical data subject to change without notice!

B25R

Push button installed Pos. 1 - 11
Lever switch installed Pos. 12

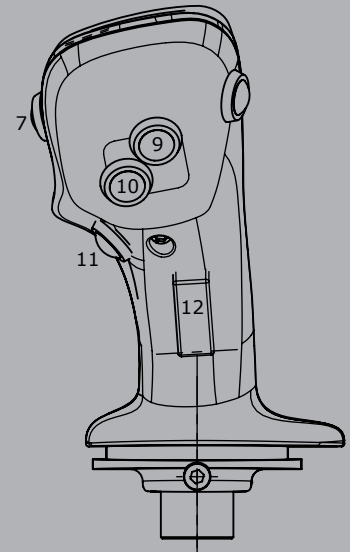
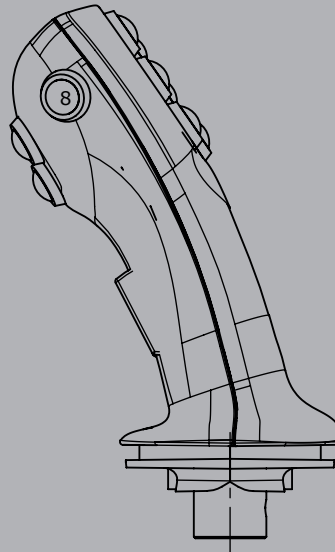
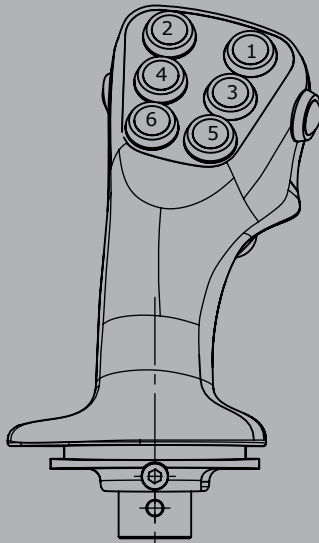
Rocker switch installed Pos. 9+10 possible

Twist grip PA13,H13
Direction 13-14
Actuating by rotation $\pm 25^\circ$



B25L

Push button installed Pos. 1 - 11
Lever switch installed Pos. 12



Edition: B25R
Rocker switch installed Pos. 3+1
Rocker switch installed Pos. 2+4

Edition: B25R
Sliding switch installed Pos. 3+1
Rocker switch installed Pos. 2+4

Edition: B25R
Multi-axis controller V21 installed Pos. 2+4
Rocker switch installed Pos. 5+6

Edition: B25R
Hall Push button installed Pos. 1,2,5,6,15
Rocker switch installed Pos. 3,4

