

Palm Grip B33



The Palm Grip B33 has different equipment options for many requirements. It is compatible with our Multi-Axis Controller or mounted on hydraulic drives. The Palm Grip has a highly flexible single wire (0,1 mm², 450 mm long). The mounting piece for the drive rod can be supplied with a tapped hole 12 mm (standard) or 10 mm.

Technical data

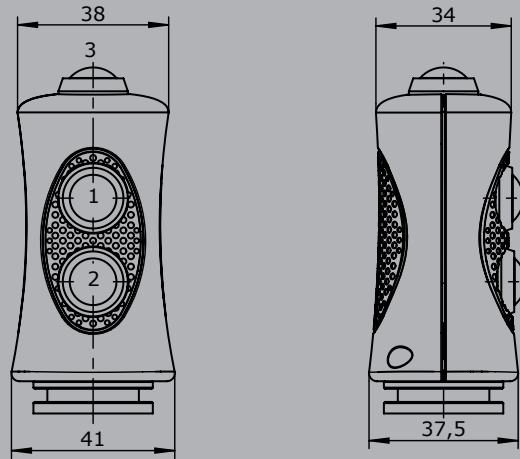
Operating temperature	-40°C to +85°C
Degree of protection	Control element up to IP67
Contact complement	*1 0,1A 24 V DC13



	B33L	Example -2D	S12	-X
Basic unit				
B33L Palm Grip left				
B33R Palm Grip right				
Digitale actuating element				
D Push Button KDA21 *1 Colour: red, black, yellow, green, blue, white, orange				
HD Hall-Push Button (see page 151)				
Analog actuating element				
S12 Thumbwheel, output 0,5...2,5...4,5 V inverse dual (see page 146)				
S16 Thumbwheel, output 0,5...2,5...4,5 V inverse dual (see page 149)				
Special model				
X Special / customer specified				

B33

Edition:
Push button installed Pos. 1,2,3



Edition:
Rocker switch installed Pos. 1+2

