



The Palm Grip B35 has different equipment options for many requirements. It is compatible with our Multi-Axis Controller or mounted on hydraulic drives. The Palm Grip has a highly flexible single wire (0,1 mm², 450 mm long). The mounting piece for the drive rod can be supplied with a tapped hole 12 mm (standard) or 10 mm.

Technical data

Operating temperature	-40°C to +85°C
Degree of protection	Control element up to IP67
Contact complement	1,5A 24 V DC 13 (*1 0,1A 24 V DC13)

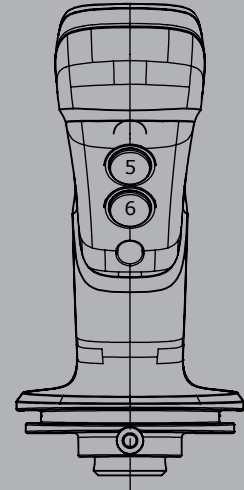
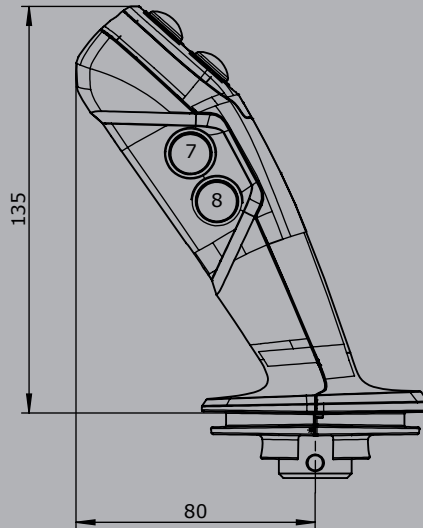
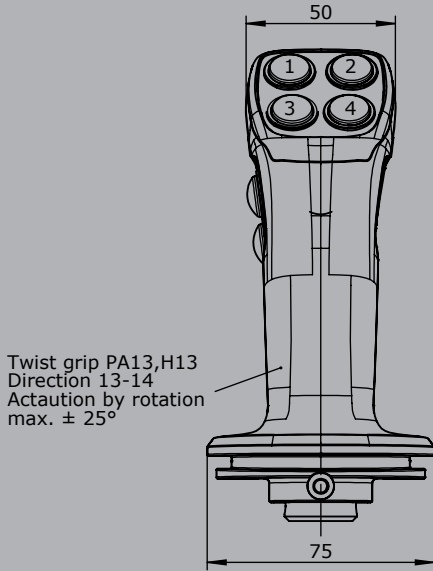


	B35	-2D	W	K	SE	S12	H13	-X
Basic unit								
B35 Palm Grip								
Digital actuating element								
D Push Button KDA21 *1 Colour: red, black, yellow, green, blue, white, orange								
HD Hall-Push Button (see page 151)								
W Rocker switch momentary (T) or maintained (R), colours: red, black, yellow, blue, white Mechanical functions: T-0-T, 0-T, R-0-T, R-0-R, 0-R, R-R								
K Lever switch								
SE Sensor Button capacitive with external control electronics								
S Sensor Button capacitive without external control electronics (Consistent with V85 / VV85 with interface E1xx to E6xx, E907 and V25/V27 with interfaces E3xx + E4xx+E907)								
V Vibration								
Analog actuating element								
S12 Thumbwheel, output 0,5...2,5...4,5 V inverse dual (see page 146)								
S16 Thumbwheel, output 0,5...2,5...4,5 V inverse dual (see page 149)								
V21 Mini-Joystick, output 0,5...2,5...4,5 V inverse dual (see page 137)								
HK Hall-Cross Switch (see page 143)								
H13 Hall-Rotary Grip, output 0,5...2,5...4,5 V inverse dual								
Special model								
X Special / customer specified								

B35R

Hall push button installed Pos. 1 - 4
Hall push button installed Pos. 7 - 8

Hall push button installed Pos. 5 - 6

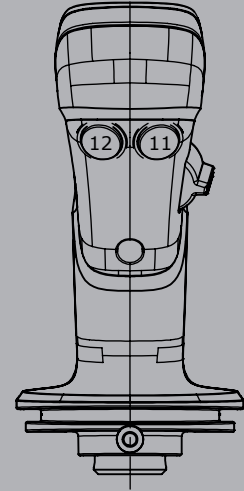
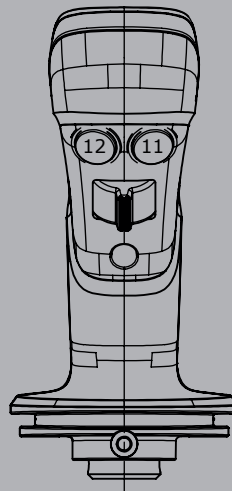
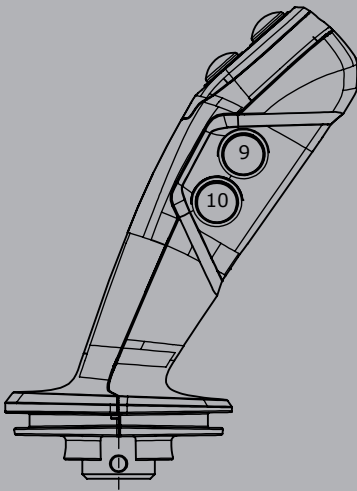


B35L

Hall push button installed Pos. 1 - 4
Hall push button installed Pos. 9 - 10

Hall push button installed Pos. 11 - 12
Rocker switch installed Pos. 6

Hall push button installed Pos. 11 - 12
Rocker switch can be installed on the side



Edition: B35
Rocker switch installed Pos. 1+3
Rocker switch installed Pos. 2+4

Edition: B35
Rocker switch installed Pos. 1+2
Rocker switch installed Pos. 3+4

Edition: B35
Rocker switch installed Pos. 1+3
Hall push button installed Pos. 2+4

Edition: B35
Rocker switch installed Pos. 1+2
Hall push button installed Pos. 3+4

