



The Palm Grip B7 / B8 has different equipment options for many requirements. It is compatible with our Multi-Axis Controller or mounted on hydraulic drives. The Palm Grip has a highly flexible single wire (0,1 mm², 450 mm long). The mounting piece for the drive rod can be supplied with a tapped hole 12 mm (standard) or 10 mm.

Technical data

Operating temperature	-40°C to +85°C
Degree of protection	Control element up to IP67
Contact complement	1,5A 24 V DC13 (*1 0,1A 24 V DC13)

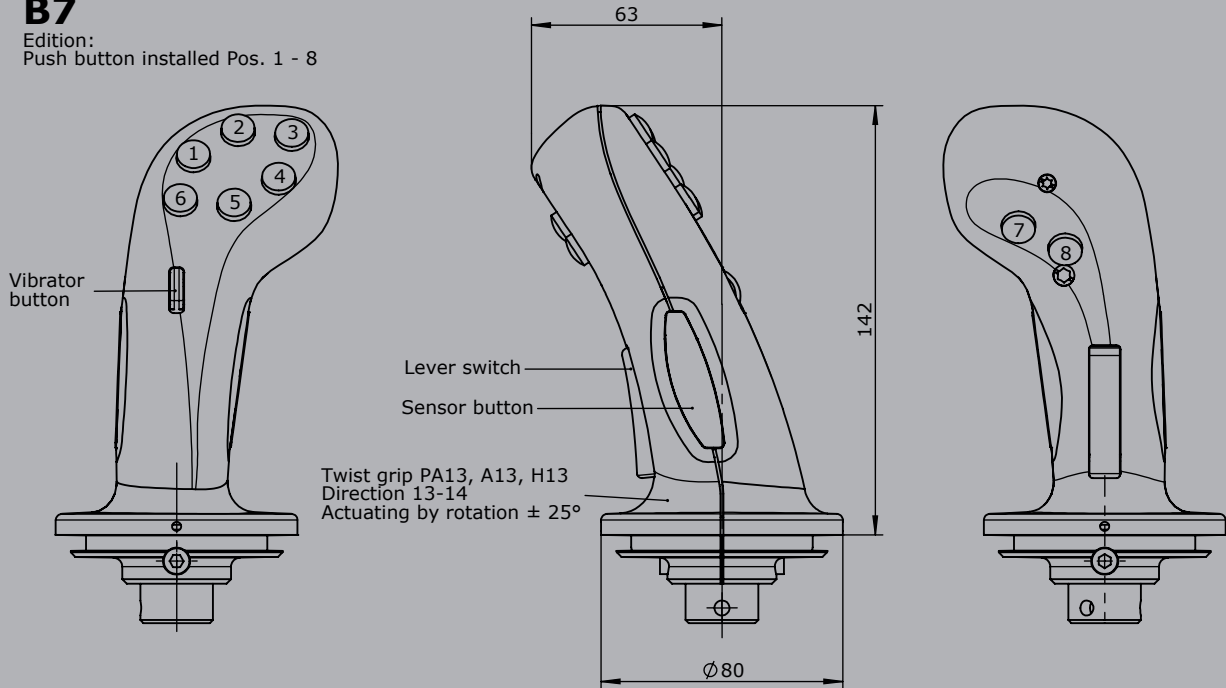


		Example							
		B7	-2D	W	K	SE	S9	PA13	-X
Basic unit									
B7	Palm Grip left								
B8	Palm Grip right								
Digital actuating element									
D	Push Button Colour: red, black, yellow, green, white, orange								
D	Push Button KDA21 *1 Colour: red, black, yellow, green, blue, white, orange								
HD	Hall-Push Button (see page 151)								
W	Rocker switch momentary (T) or maintained (R), colours: red, black, yellow, blue, white Mechanical functions: T-0-T, 0-T, R-0-T, R-0-R, 0-R, R-R								
K	Lever switch								
A13	Rotary Grip T-0-T								
SE	Sensor Button capacitive with external control electronics								
S	Sensor Button capacitive without external control electronics (Consistent with V85 / VV85 with interface E1xx to E6xx, E907 and V25/V27 with interfaces E3xx + E4xx+E907)								
V	Vibrator Impulse 24 V DC ED 100%								
Analog actuating element									
S12	Thumbwheel, output 0,5...2,5...4,5 V inverse dual (see page 146)								
S16	Thumbwheel, output 0,5...2,5...4,5 V inverse dual (see page 149)								
V21	Mini-Joystick, output 0,5...2,5...4,5 V inverse dual (see page 137)								
HK	Hall-Cross Switch (see page 143)								
PA13	Rotary Grip Potentiometer T375 2 x 5 kOhm with direction contacts								
H13	Hall-Rotary Grip Output 0,5...2,5...4,5 V inverse dual								
Special model									
X	Special / customer specified								
Attachments									
Z01	Bellow KMD 109								10300009
Z02	Bellow KMD 190								10300093
Z03	Rosette KBF 905 with 4 screws M5x15 necessary for bellow KMD 190								5209900404

Technical details may vary based on configuration or application! Technical data subject to change without notice!

B7

Edition:
Push button installed Pos. 1 - 8



B8

Edition:
Push button installed Pos. 1 - 8

Edition:
Multi-axis controller V21
Push button installed Pos. 5,6,7,8

Edition :
Hall Rocker switch
Push button installed Pos. 1,5,6,8

