

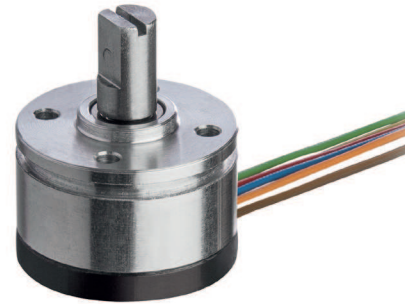
Hall-Potentiometer HG2



The Hall-Potentiometer HG2 is distinguished by its precision and longevity.

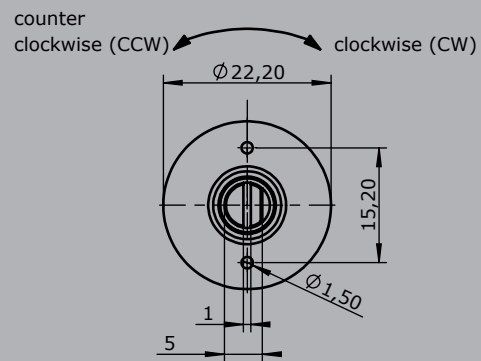
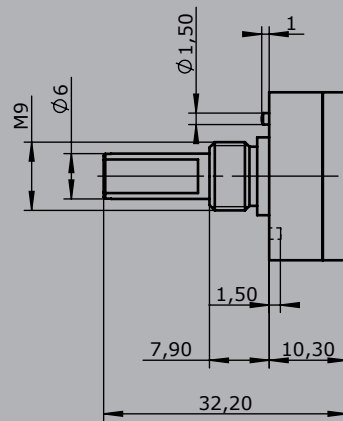
Technical data

Mechanical life	10 million operating cycles
Operation temperature	-40°C to +85°C
Degree of protection	IP67
Functional safety	PLd compatible (EN ISO 13849, complies SIL2 to DIN EN IEC 61508)



	HG2A	-60	Example -6	-E14811	-X
Basic unit					
HG2A	Hall-Potentiometer HG2 Model A				
HG2B	Hall-Potentiometer HG2 Model B				
Operating distance					
0-360° possible					
Example 60° => 60					
Dead zone around the center position					
0 No dead zone					
Example +/-3° => 6					
Interface					
Voltage output HG2					
E1481	1 0,5...2,5...4,5 V dual inverse Ub= 5 V DC				
	2 0,5...2,5...4,5 V dual positive gradient clockwise (cw) Ub= 5 V DC				
	3 0,5...2,5...4,5 V dual positive gradient counter clockwise (ccw) Ub= 5 V DC				
E1491	1 0,5...2,5...4,5 V positive gradient clockwise (cw) with zero position signal Ub= 5 V DC				
	2 0,5...2,5...4,5 V positive gradient counter clockwise (ccw) with zero position signal Ub= 5 V DC				
	3 0,5...2,5...4,5 V positive gradient clockwise (cw) with direction signals Ub= 5 V DC				
	4 0,5...2,5...4,5 V positive gradient counter clockwise (ccw) with direction signals Ub= 5 V DC				
<i>More interfaces (for example SPI BUS) on request!</i>					
Special model					
X	Special / customer specified				

HG2A



HG2B

