

Control Unit

KST 19 swiveling



The KST19 is an ergonomically designed swiveling control chair which provides a high degree of comfort.

Equipment boxes:

The equipment boxes are vertically and horizontally adjustable. The arrangement of the joysticks, indicators and control devices is customised according to customer specifications. Cabling is carried out through a cross-member in the traverse. (Terminal block)

Driver's Seat:

As standard the KST19 is fitted with a KFS10 seat. The seat itself is fitted with a pneumatic vibration absorption system complete with weight adjustment to ensure that the comfort level is fitted with armrests and a headrest. There is the option to have the seat covered with air-permeable artificial leather.

Cross-member with swivel base:

The swivel base is zero-clearance bearing and can be locked either by a detent (standard) in 3° steps or stepless by a friction brake.

Surface treatment:

Base coat and textured varnish
Standard colour RAL 7035 light grey, equipment boxes RAL 7016 anthracite



Example

KST19 -U1 -M1 -F3 -LK / KFS 10 / V85 / V85 / KL / X

Basic unit

KST19 With equipment boxes

Base unit

- U1 Swiveling 180° left, 90° right with friction brake
- U2 Swiveling 180° left, 90° right with detent incl. 2-step release (standard)
- U4 Non swiveling

Attachments

- M1 Monitor mounting with monitor housing
- M2 Monitor mounting with monitor mounting bracket
- M3 Monitor mounting without monitor housing/ -mounting bracket
- M4 Monitor mounting (Monitor < 5 kg) with monitor housing
- M5 Monitor mounting (Monitor < 5 kg) with mounting adapter
- F3 Footrest KBF/716
- H Heater 2 x 2 kW with ventilator
- LK Plate for horizontal manual adjustment for control units +/- 250 mm

Driver's Seat

KFS10* (Included in the delivery!)

*Description see Driver's Seat page 251

KST19 -U1 -M1 -F3 -LK / KFS10 / V85 / V85 / KL / X

Mounting for equipment boxes

| | |
|------|--|
| V... | Multi-Axis Controller (see section joysticks) |
| S... | Single-Axis Controller (see section joysticks) |
| D... | Double-Handle Controller (see section joysticks) |
| N... | Control-Switch (see page 113) |
| ... | More command and indicating devices (see page 137 and 243) |

Wiring

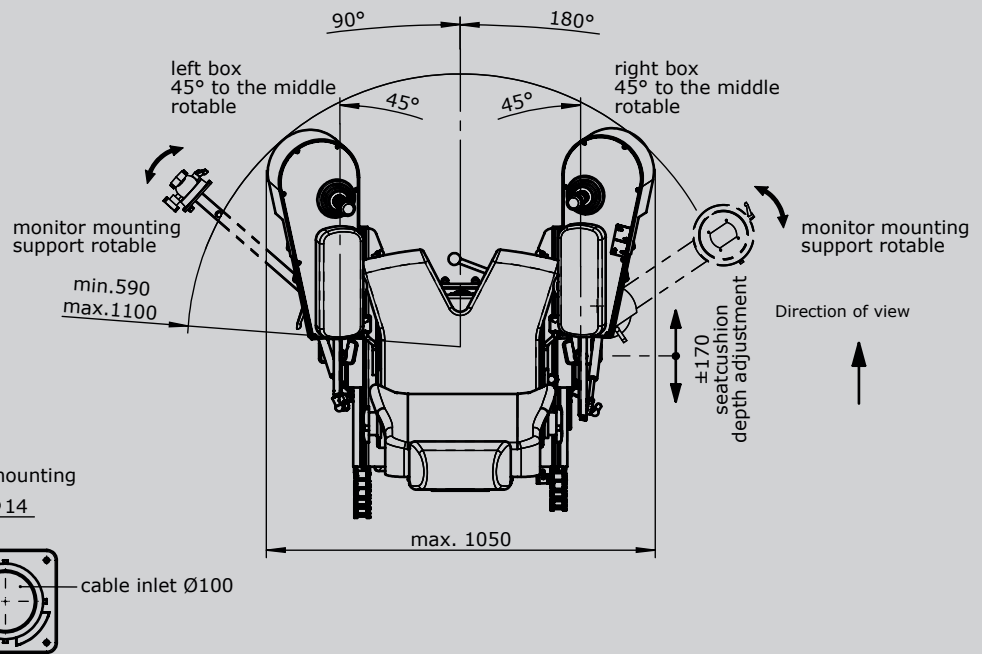
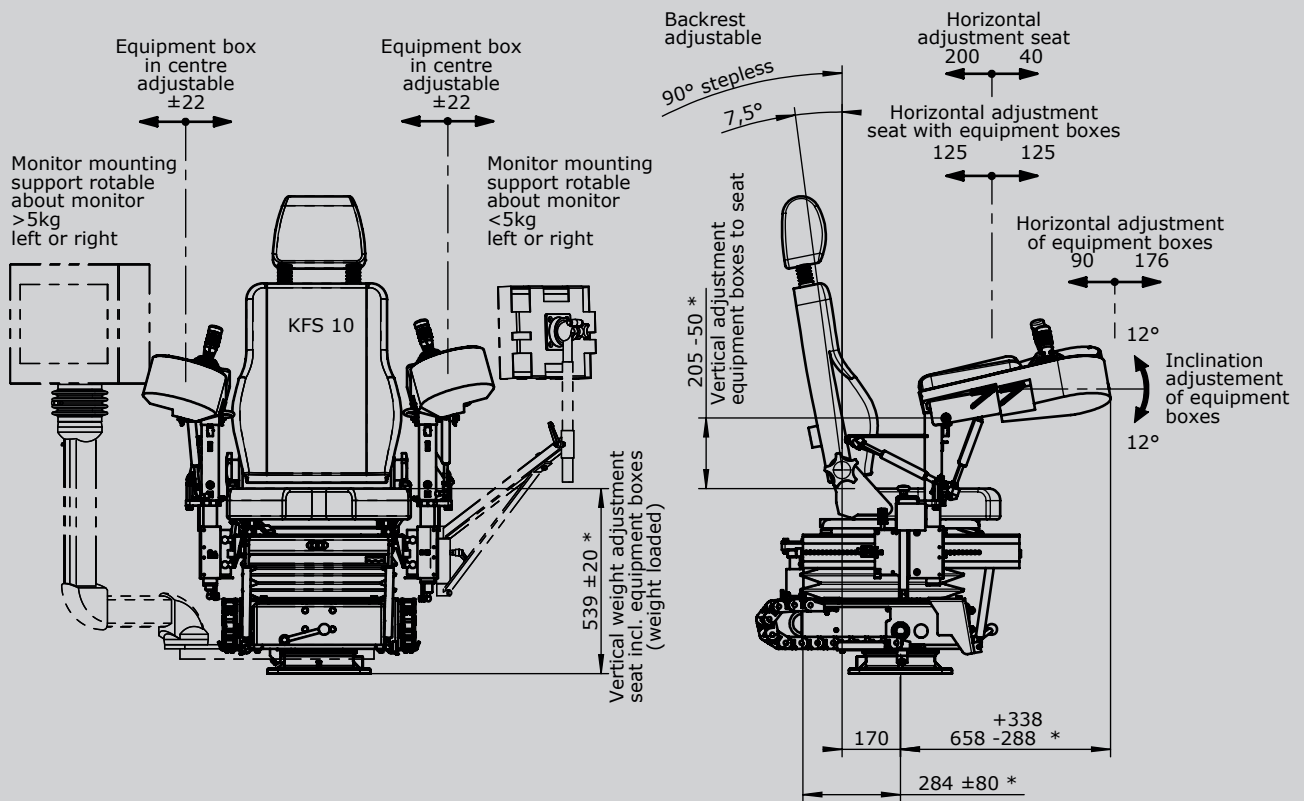
| | |
|------|--|
| KL | Without wiring, but terminal block built in each terminal |
| KLV | On terminal block 4 mm ² with single wire 1 mm ² each terminal |
| KLV | On SPS (SPS provision) with single wire 1 mm ² each terminal |
| KLVA | External wiring single wire highly flexible 1,5 mm ² , 5 m long each terminal |

Special model

| | |
|----------------|------------------------------|
| X | Special / customer specified |
| X ² | Special painted |

Option

| |
|-----------------------------|
| Radio remote control system |
|-----------------------------|



* adjustable