

Control Unit KST 8 swiveling



The KST8 is an ergonomically designed swiveling control chair which provides a high degree of comfort.

Equipment boxes:

The equipment boxes are vertically and horizontally adjustable. The arrangement of the joysticks, indicators and control devices is customised according to customer specifications. Cabling is carried out through a cross-member in the traverse. (Terminal block)
Special boxes available upon request.

Driver's Seat:

As standard the KST8 is fitted with a KFS11 seat. The seat itself is fitted with a hydraulic vibration absorption system complete with weight adjustment to ensure that the comfort level is fitted with armrests and a headrest. There is the option to have the seat covered with air-permeable artificial leather.

Cross member with swivel base:

The cover of the sheet steel cross-member including the Driver's Seat is forward foldable. Thereby all wirings, terminals and bushings are easily accessible during commissioning and maintenance. The swivel base is zero-clearance bearing and can be locked either by a detent (standard) in 3° steps or stepless by a friction brake.

Surface treatment:

Base coat and textured varnish
Standard colour RAL 9011 black



		Example														
		KST8	-U1	-M1	-F3	-LK	/	KFS 11	/	V64	/	V64.1	/	KL	/	X
Basic unit																
KST8	With equipment boxes															
Base unit																
U1	Swiveling 180° left, 90° right with friction brake															
U2	Swiveling 180° left, 90° right with detent incl. 2-step release (standard)															
U3	Electric swiveling 180° left, 90° right															
U4	Non swiveling															
U5	Without base frame															
Attachments																
M1	Monitor mounting with monitor housing															
M2	Monitor mounting with monitor mounting bracket															
M3	Monitor mounting without monitor housing/-mounting bracket															
F3	Footrest KBF/716															
H	Heater 2 x 2 kW with ventilator															
LK	Plate for horizontal manual adjustment of control units +/- 250 mm															
Driver's Seat																
KFS11*	(Included in the delivery!)															
KFS9*																
KFS10*																
KFS12*																
*Description see Driver's Seat page 251																

KST8 -U1 -M1 -F3 -LK / KFS11 / V64 / V64.1 / KL / X

Mounting for equipment boxes

V...	Multi-Axis Controller (see section joysticks)
S...	Single-Axis Controller (see section joysticks)
D...	Double-Handle Controller (see section joysticks)
N...	Control-Switch (see page 113)
...	More command and indicating devices (see page 137 and 243)

Wiring

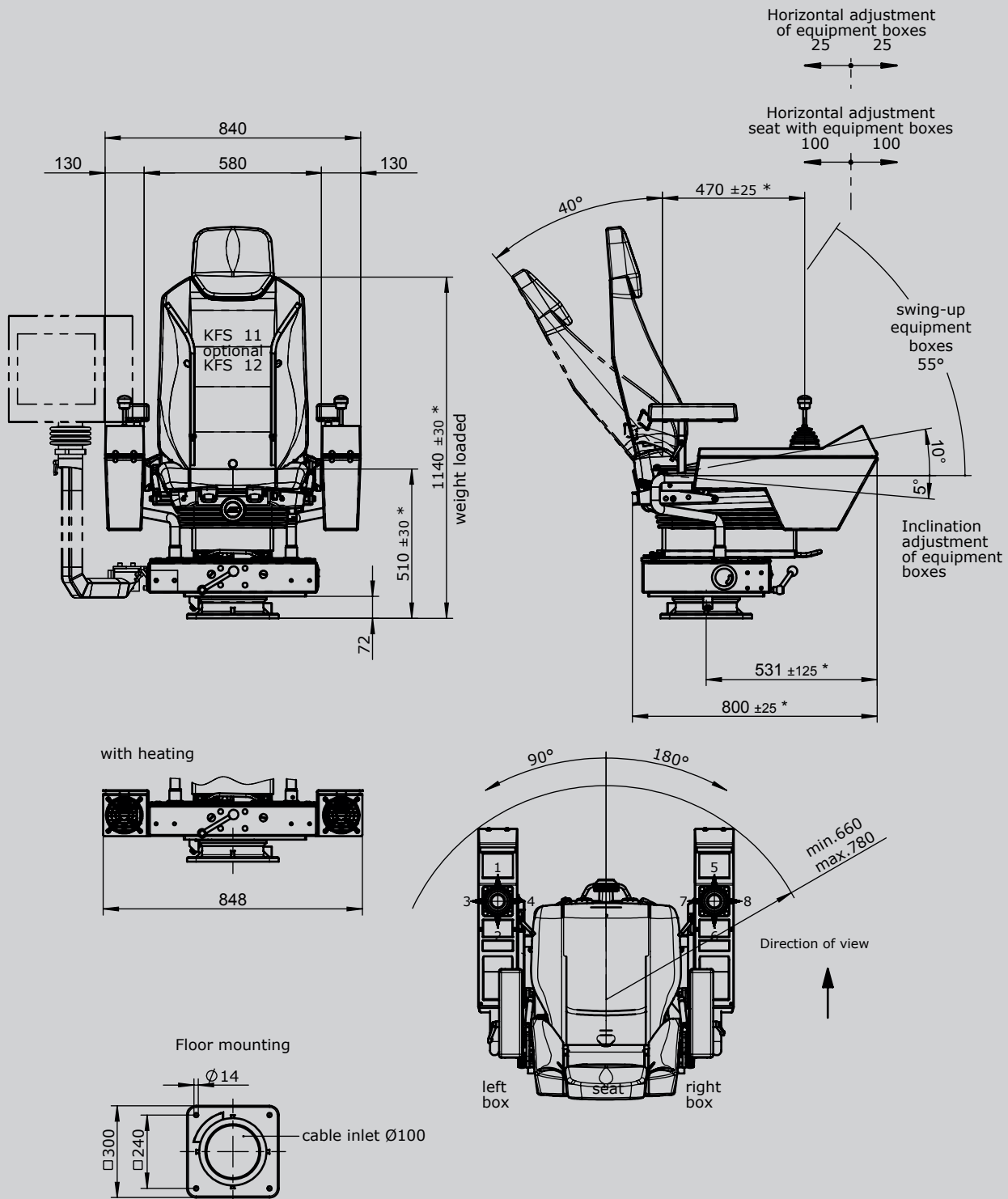
KL	Without wiring, but terminal block built each terminal
KL V	On terminal block 4 mm ² with single wire 1 mm ² each terminal
KL V	On SPS (SPS provision) with single wire 1 mm ² each terminal
KLVA	External wiring single wire highly flexible 1,5 mm ² , 5 m long each terminal

Special model

X	Special / customer specified
X ²	Special painted

Option

Radio remote control system



* adjustable