

Control Unit

KST 85



The KST85 is an ergonomically designed swiveling control chair which provides a high degree of comfort.

Equipment boxes:

The equipment boxes are vertically and horizontally adjustable. The arrangement of the joysticks, indicators and control devices is customised according to customer specifications. Cabling is carried out through a cross-member in the traverse. (Terminal block)
Special boxes available upon request.

Driver's Seat:

The comfortable spring mounted seat KFS14 with roller-bearing swivel systems.

Heating console:

Cover with 2 steps heating (2x2kW 400V AC) with integrated ventilator. The cover of the heating cover can be tilted forward to reach the terminal block of the heating and cable execution.

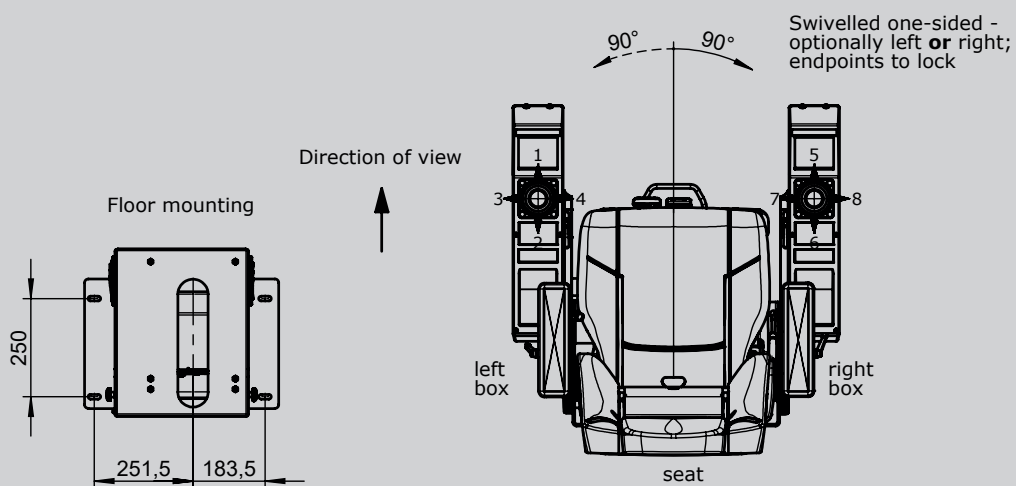
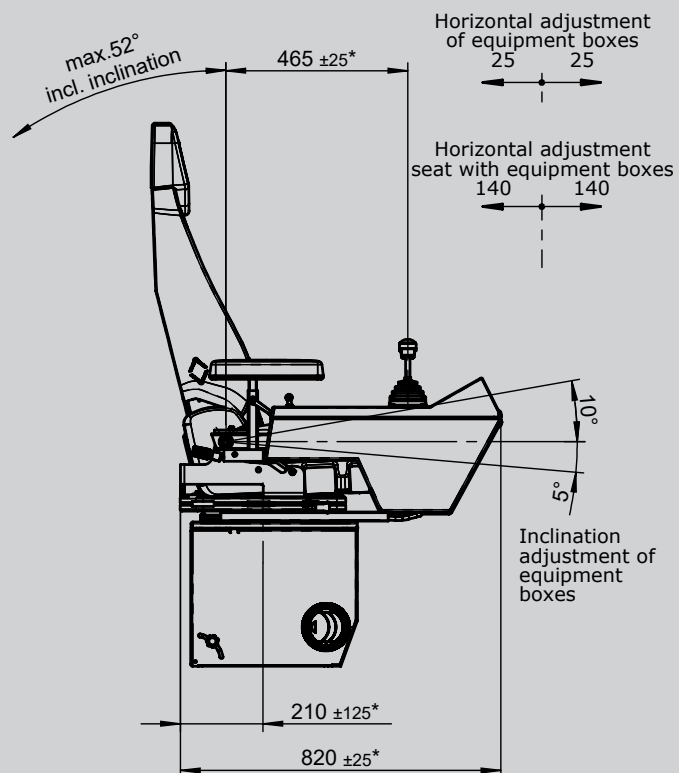
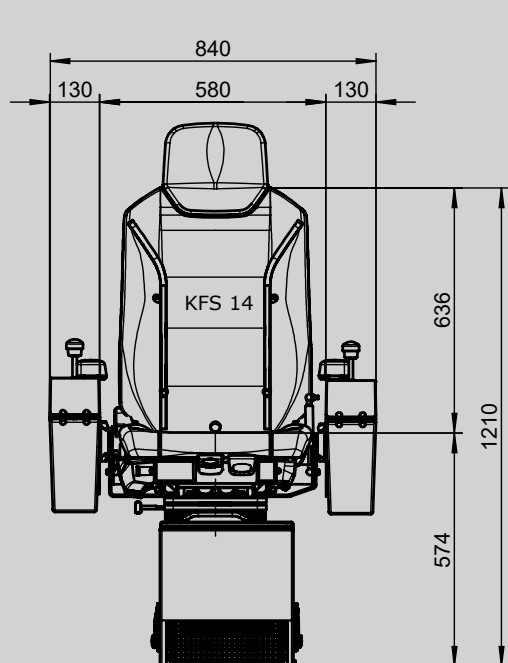
Surface treatment:

Base coat and textured varnish
Standard colour RAL 9011 black



| | | Example | | | | | | | | | | |
|-------------------------------------|--|---------|---|-------|---|-----|---|-------|---|----|---|---|
| | KST85 | -M1 | / | KFS14 | / | V64 | / | V64.1 | / | KL | / | X |
| Basic unit | | | | | | | | | | | | |
| KST85 | With heating in the console base | | | | | | | | | | | |
| KST87 | With console base without heating | | | | | | | | | | | |
| Attachments | | | | | | | | | | | | |
| M1 | Monitor mounting with monitor housing | | | | | | | | | | | |
| M2 | Monitor mounting with monitor mounting bracket | | | | | | | | | | | |
| M3 | Monitor mounting without monitor housing/-mounting bracket | | | | | | | | | | | |
| Driver's Seat | | | | | | | | | | | | |
| KFS14* | (Included in the delivery!) | | | | | | | | | | | |
| Mounting for equipment boxes | | | | | | | | | | | | |
| V... | Multi-Axis Controller (see section joysticks) | | | | | | | | | | | |
| S... | Single-Axis Controller (see section joysticks) | | | | | | | | | | | |
| D... | Double-Handle Controller (see section joysticks) | | | | | | | | | | | |
| N... | Control-Switch (see page 113) | | | | | | | | | | | |
| | More command and indicating devices (see page 137 and 243) | | | | | | | | | | | |
| Wiring | | | | | | | | | | | | |
| KL | Without wiring, but with terminal block built each terminal | | | | | | | | | | | |
| KLV | On terminal block 4 mm ² with single wire 1 mm ² each terminal | | | | | | | | | | | |
| KLV | On SPS (SPS provision) with single wire 1 mm ² each terminal | | | | | | | | | | | |
| KLVA | External wiring single wire highly flexible 1,5 mm ² , 5 m long each terminal | | | | | | | | | | | |
| Special model | | | | | | | | | | | | |
| X | Special / customer specified | | | | | | | | | | | |
| X ² | Special painted | | | | | | | | | | | |
| Option | | | | | | | | | | | | |
| | Radio remote control system | | | | | | | | | | | |

Technical details may vary based on configuration or application! Technical data subject to change without notice!



* adjustable