

Hall-Potentiometer

N10



The N10 is a Hall-Potentiometer for electrohydraulic and hoisting applications. Long life and high reliability is ensured by the latest contactless hall-technology. Up to 18 detent points can be integrated.

Technical data

Mechanical life	10 million operating cycles
Mechanical life with detent/friction brake	3 million operating cycles
Operating temperature	-40°C to +85°C
Degree of protection	IP67 (electronic)
Functional safety	PLd compatible (EN ISO 13849, complies SIL2 to DIN EN IEC 61508)

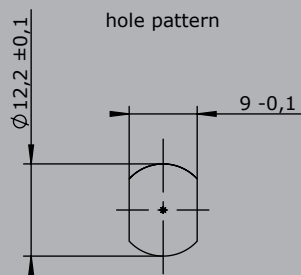
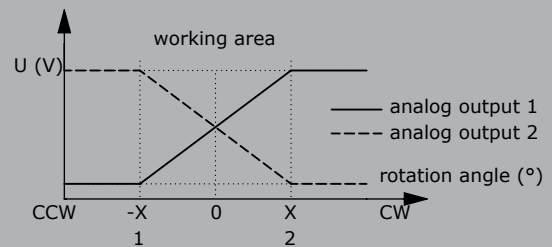
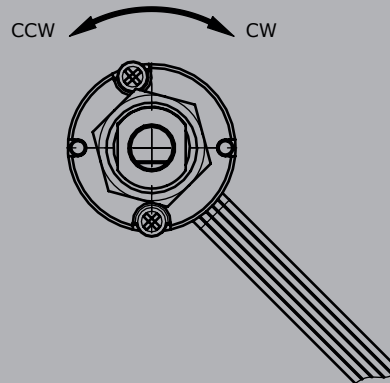
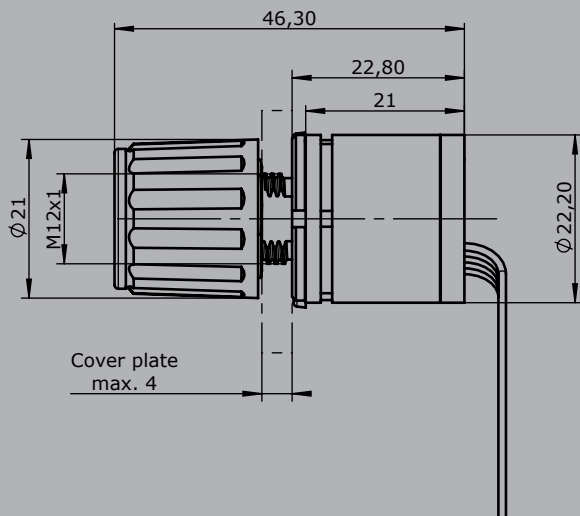


	N10	-90	Example 1	-6	-E14811	-X
Basic unit	N10A Hall-Potentiometer with rotary knob					
Operating distance	360° (rotating without stop) 270° 180° 90°					
Detent	0 Without detent, with friction brake 1 Detent point in middle position 3 Detent point in Position 1 4 Detent point in Position 2 R15 Detent point at intervals of 15°					
Dead zone around the center position	0 No dead zone Example +/-3° => 6					
Interfaces	Voltage output E1481 1 0,5...2,5...4,5 V dual inverse Ub= 5 V DC 2 0,5...2,5...4,5 V dual positive gradient clockwise (cw) Ub= 5 V DC 3 0,5...2,5...4,5 V dual positive gradient counter clockwise (ccw) Ub= 5 V DC E1491 1 0,5...2,5...4,5 V positive gradient clockwise (cw) with zero position signal Ub= 5 V DC 2 0,5...2,5...4,5 V positive gradient counter clockwise (ccw) with zero position signal Ub= 5 V DC 3 0,5...2,5...4,5 V positive gradient clockwise (cw) with direction signals Ub= 5 V DC 4 0,5...2,5...4,5 V positive gradient counter clockwise (ccw) with direction signals Ub= 5 V DC <i>More interfaces (for example SPI Bus) on request!</i>					
Special model	X Special / customer specified					

Technical details may vary based on configuration or application! Technical data subject to change without notice!

Hall-Potentiometer

N10



Position of the shaft:

detent in the middle position

detent in 1 figure -90°

detent in 2 figure +90°

