

The S15 is a Fingertip Joystick designed for electro-hydraulic applications. A long service life and high reliability is achieved by the latest contactless hall-technology. With the different actuator colours the appearance can be individually designed.

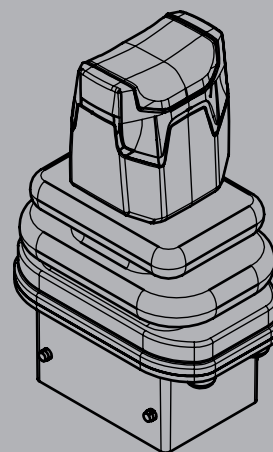
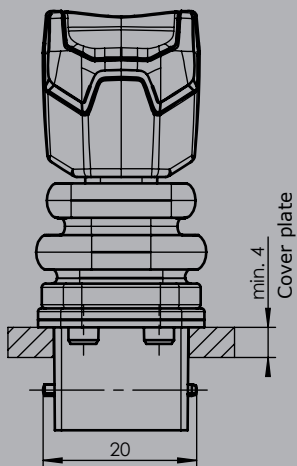
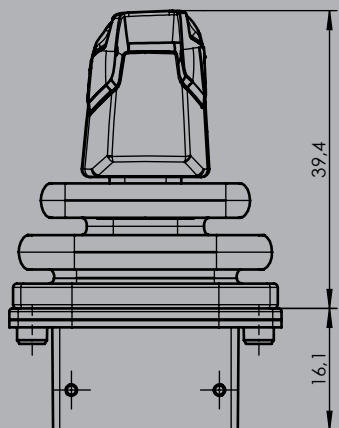
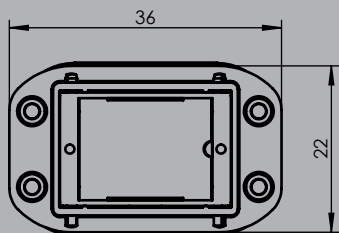
Technical data

Mechanical life S15	5 million operating cycles
Operating temperature	-40°C to +85°C
Degree of protection	IP67
Functional safety	PLd compatible (EN ISO 13849, complies SIL2 to DIN EN IEC 61508)



	Example					
	S15	- 2	- 1	- 1	-E1031	-X
Basic unit						
S15 Fingertip Joystick						
Actuator						
1 Actuator form A						
2 Actuator form B						
Actuator colour						
1 Black						
2 Grey*						
3 Blue*						
4 Red*						
5 Yellow*						
6 Orange*						
<i>*not possible with actuator form B!</i>						
Mechanical function						
1 T-0-T						
Interface						
0,5...2,5...4,5 V redundant by Ub= 5 V	1 axis				E1031	
0,5...2,5...4,5 V redundant + direction signal at Ub= 5 V	1 axis				E104 1	
	Characteristic inverse dual					1
	Characteristic dual					2
<i>SPI - Interface on request</i>						
Special model						
X Special / customer specified						

S15 fingertip with actuator edition A



S15 fingertip with actuator edition B

