

# Single-Axis Controller S23



The Single-Axis Controller S23 is a robust switching device for shipbuilding and electro-hydraulic applications. The modular design of the switching device is universally applicable. The Single-Axis Controller is resistant to oil, maritime conditions e.g. offshore /vessels, UV radiation typically from the sun.

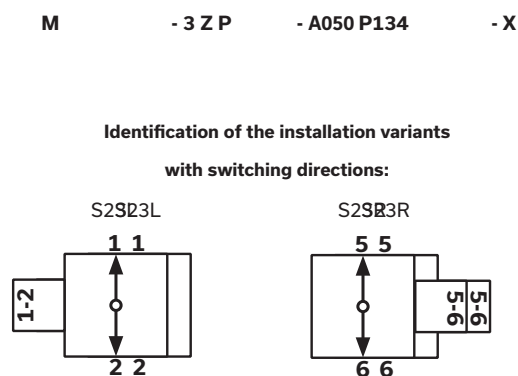
## Technical data

Mechanical life S23	6 million operating cycles
Operating temperature	-40°C to +85°C
Degree of protection	IP65



	S23L	S5	M	- 3 Z P	- A050 P134	- X
<b>Basic unit</b>						
S23L left						
<b>Control-handle extended</b>						
S5 -20 mm						
<b>Grip / palm grip</b>						
M Mechanical zero interlock						
<b>Axis 1 (direction 1-2)</b>						
3 3 contacts (2A 250 V AC15)						
Z Spring return						
P Potentiometer						
<b>Description axis 1 (direction 1-2)</b>						
A050 Arrangement MSP21-0						
P134 Potentiometer T396 2 x 5 kOhm						
<b>Special model</b>						
X Special / customer specified						

	S23L	S5
<b>Basic unit</b>		
S23L left		
S23R right		
<b>Control-handle extended</b>		
Standard 140 mm		
S5 -20 mm		
S8 +20 mm		



S23L S5 M - 3 Z P - A050 P134 - X

### Grip / palm grip

- Knob (standard)
- M Mechanical zero interlock
- Q T-grip
- QM T-grip with mechanical zero interlock

S23L S5 M - 3 Z P - A050 P134 - X

### Axis 1: direction 1-2 left / direction 5-6 right

1	1 contact	Standard contact - arrangement see page 122	
2	2 contacts	z.B.	
3	3 contacts	A98	MS0
4	4 contacts	A05	MS21
		A0500	MS21-00
		<i>A99 contact - arrangement according customer request</i>	
Z	Spring return		
R	Friction brake		
(P)	Possibility of mounting potentiometer and encoder (Gessmann-types)		
P	Potentiometer	P131	T396 2 x 0,5 kOhm   max. 1 mA
		P132	T396 2 x 1 kOhm   max. 1 mA
		P133	T396 2 x 2 kOhm   max. 1 mA
		P134	T396 2 x 5 kOhm   max. 1 mA
		P135	T396 2 x 10 kOhm   max. 1 mA
		<i>More potentiometers on request!</i>	
C	Encoder	C... Encoder see page 130	

S23L S5 M - 3 Z P - A050 P134 - X

### Special model

- X Special / customer specified

