

Single-Axis Controller S26



The Single-Axis Controller S26 is a hall sensor switching device designed for electro-hydraulic and remote controlled hydraulic. The modular design of the switching device is universally applicable.

Technical data

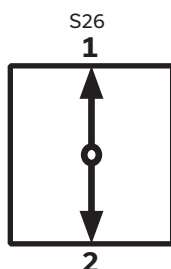
Mechanical life S26	6 million operating cycles
Operating temperature	-40°C to +85°C
Degree of protection	up to IP54, electronic assembly IP67
Functional safety	PLd compatible (EN ISO 13849, complies SIL2 to DIN EN IEC 61508)



	S26	T	Example -Z	-E...	-S...	-X
Basic unit						
S26	1-axis					
Grip / Palm Grip						
	Knob					
M	Mechanical zero interlock					
T	Dead man					
H	Signal button					
D	Push button					
B...	Palm Grip B... (on request!)					
Z	Spring return					
R	Friction brake					
Interface (description on the following pages)						
E0xx	Digital output					
E1xx	Voltage output					
E2xx	Current output					
Plug connectors						
S..	Standard plug connectors (see page 120)					
Special model						
X	Special / customer specified					

Identification of the installation variants

with switching directions:



Technical details may vary based on configuration or application! Technical data subject to change without notice!

Digital output

Supply voltage	9-32 V DC		
Current carrying capacity	Direction signal 150 mA		
	Zero position signal 500 mA		
Wiring	Cable 500 mm long without plug connector		
	Optional with plug connector (<i>standard plug connectors see page 120</i>)		S
2 direction signals + 1 zero position signal (galvanically isolated)			
	1 axis	E001 1	

Voltage output (not stabilized)

Supply voltage	4,75-5,25 V DC		
Current carrying capacity	Direction signal 8 mA		
	Zero position signal 500 mA		
Wiring	Cable 500 mm long without plug connector		
	Optional with plug connector (<i>standard plug connectors see page 120</i>)		S
0,5...2,5...4,5 V redundant + 2 direction signals			
	1 axis	E104 1	
Output options			
Characteristic:			
	Inverse dual		1
	Dual		2
	Inverse dual with dead zone +/- 3° (standard)		3
	Dual with dead zone +/- 3° *1		4

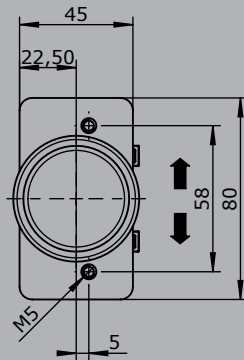
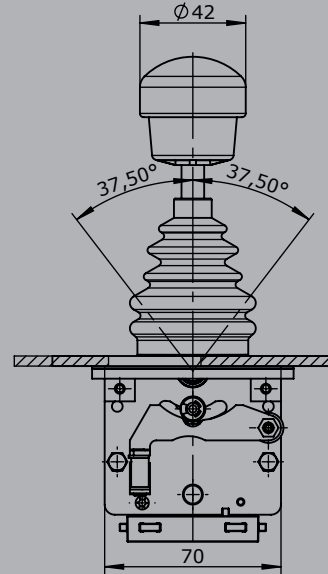
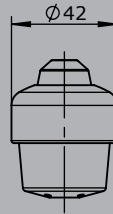
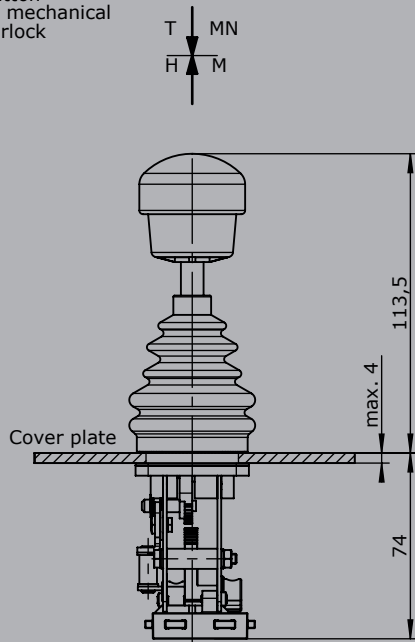
Voltage output

Supply voltage	9-32 V DC (*11,5-32 V)		
Current carrying capacity	Direction signal 150 mA		
	Zero position signal 500 mA		
Wiring	Cable 500 mm long without plug connector		
	Optional with plug connector (<i>standard plug connectors see page 120</i>)		S
0,5...2,5...4,5 V redundant + 2 direction signals + 1 zero position signal (galvanically isolated)			
	1 axis	E112 1	
0...5...10 V redundant + 2 direction signals + 1 zero position signal (galvanically isolated), supply voltage 11,5 - 32 V DC			
	1 axis	E132 1	
10...0...10 V + 2 direction signals + 1 zero position signal (galvanically isolated), supply voltage 11,5 - 32 V DC, sensor redundant with error monitoring and error signal			
	1 axis	E136 1	
Output options			
Characteristic:			
	Inverse dual *1		1
	Dual *1		2
	Inverse dual with dead zone +/- 3° *1 (standard)		3
	Dual with dead zone +/- 3° *1		4
*1 not combinable with output E136X			
	Single *2		5
	Single with dead zone *2 (standard)		6
*2 not combinable with output E112X and E132X			
<i>Voltage output with other value on request!</i>			

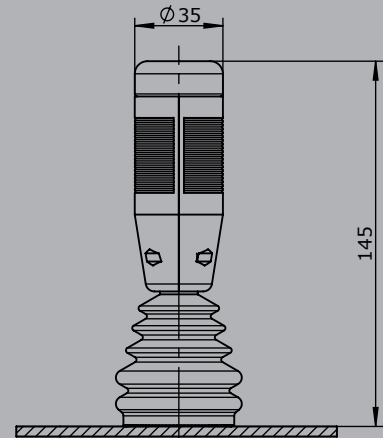
Current output		
Supply voltage	9-32 V DC	
Current carrying capacity	Direction signal 150 mA	
	Zero position signal 500 mA	
Wiring	Cable 500 mm long without plug connector	
	Optional with plug connector (<i>standard plug connectors see page 120</i>)	
S		
0...10...20 mA + 2 direction signals + 1 zero position signal (galvanically isolated), sensor redundant with error monitoring and error signal		
	1 axis	E206 1
20...0...20 mA + 2 direction signals + 1 zero position signal (galvanically isolated), sensor redundant with error monitoring and error signal		
	1 axis	E208 1
4...12...20 mA + 2 direction signals + 1 zero position signal (galvanically isolated), sensor redundant with error monitoring and error signal		
	1 axis	E214 1
20...4...20 mA + 2 direction signals + 1 zero position signal (galvanically isolated), sensor redundant with error monitoring and error signal		
	1 axis	E216 1
Output options		
	Single	5
	Single with dead zone +/-3° (standard)	6
<i>Current output with other value on request!</i>		

T = Dead man's button
 H = Signal button
 M = Latch for mechanical zero interlock

Knob solid
 D = Push button



Palm grip B5
 B5 T = Dead man's button



Hole pattern

