



The Mini-Joystick S9 is a hallsensor switching device designed for electro-hydraulic applications. Long life and high reliability is ensured by the latest contactless hall-technology. Due to its small size, the S9 is particularly suitable for installation in our ball handles.

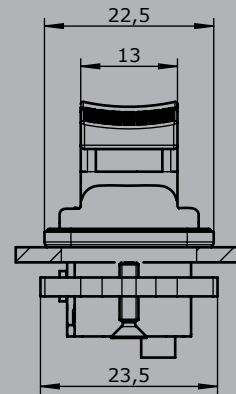
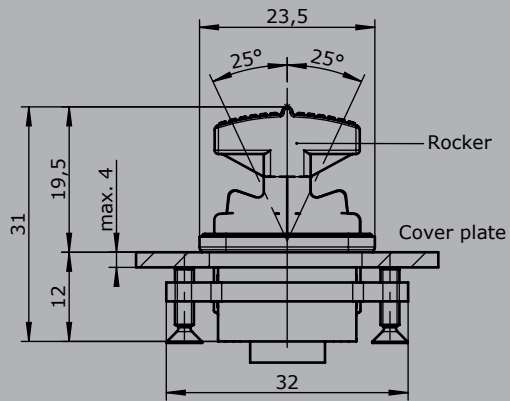
Technical data

Mechanical life S9	5 million operating cycles
Operating force	1,6 to 3,5N
Supply voltage	5V DC stabilized
Operating temperature	-40°C to +85°C
Degree of protection	IP67
Functional safety	PLd compatible (EN ISO 13849, complies SIL2 to DIN EN IEC 61508)

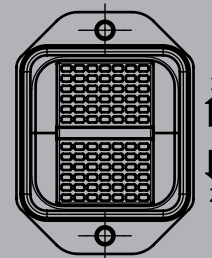
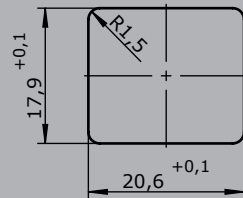


	Example S9	- E10311	- X
Basic unit			
S9			
Interface			
0,5...2,5...4,5 V redundant by Ub= 5 V		E1031	
	Output option inverse dual		1
	Output option dual		2
Special model			
X Special / customer specified			

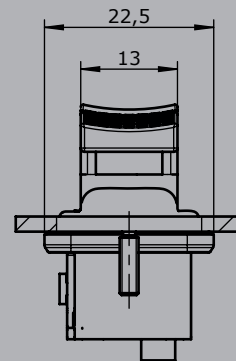
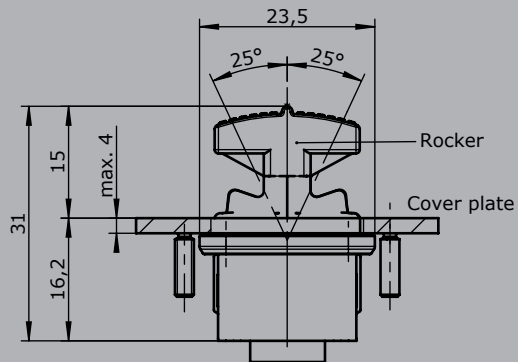
Installed from the top



Hole pattern
(installed from the top)



Installed from below



Hole pattern
(installed from below)

