

# Portable Control Unit TS1



The Portable Control Unit TS1 is used for controlling and monitoring the necessary equipment. The chest panel and straps enable the operator to carry it without becoming tired. An adjustable carrying strap can also be fitted for use without the chest plate.

Surface treatment:  
Priming and structure-finishing paint  
Standard colour RAL 7032 pebble-grey

## Technical data:

Operation temperature	-40°C to +85°C
Degree of protection	IP54

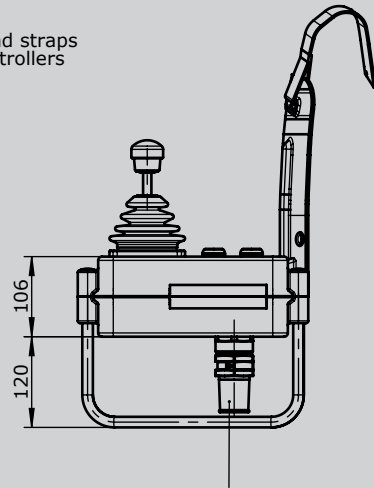


Example

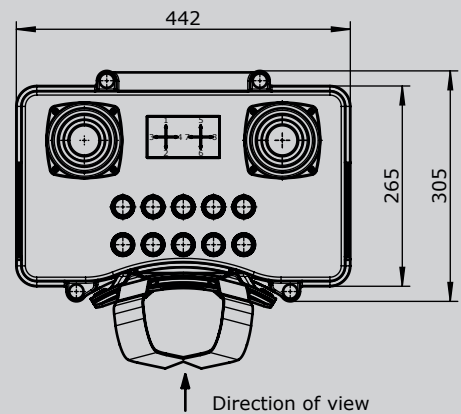
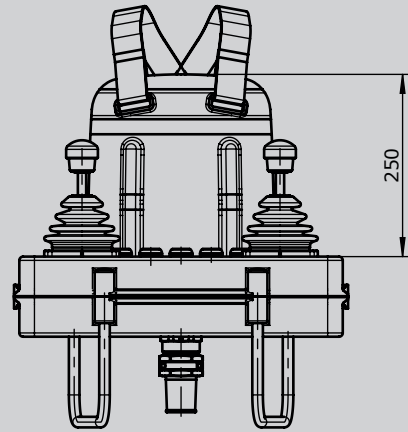
	TS1	-SB 1	-RH 1	-K 3	-HS 1	/	V...	/	KLS	/	X
<b>Basic unit</b>											
TS1	With chest plate and straps										
TS11	With straps										
<b>Attachment</b>											
SB 1	Legs for control unit alu-tube 2 pieces										
SB 2	Legs for control unit stainless steel-tube V2 A 2 pieces										
RH 1	Reeling hooks for control unit stainless steel V2 A										
K 1	Cable entry M32 cable 11 - 21 mm										
K 2	Cable entry M40 cable 19-28 mm										
K 3	Cable entry 180° swiveling M32 cable 11-21 mm										
HS 1	Plug in socket 16-pole male insert	HAN 16E without wiring									
HB 1	Connector 16-pole female insert	HAN 16E without wiring									
HS 2	Plug in socket 24-pole female insert	HAN 24E without wiring									
HB 2	Connector 24-pole female insert	HAN 24E without wiring									
HS 3	Plug in socket 32-pole male insert	HAN 32E without wiring									
HB 3	Connector 32-pole female insert	HAN 32E without wiring									
<i>Indicating labels not engraved for multi-axis-/ Single-Axis Controller</i>											
<b>Mounting for equipment boxes</b>											
V	Multi-Axis Controller (see page 1)										
N	Control-Switch (see page 113)										
<i>More command and indicating devices (see page 137 and 243)</i>											
<b>Cable and wiring</b>											
Cable Ölflex Classic FD 810 P	18 x 1 mm <sup>2</sup>	13,9 mm Ø	-5°C to +70°C	each meter							
Cable Ölflex Classic FD 810 P	25 x 1 mm <sup>2</sup>	16,4 mm Ø	-5°C to +70°C	each meter							
Cable Ölflex Classic FD 810 P	34 x 1 mm <sup>2</sup>	18,9 mm Ø	-5°C to +70°C	each meter							
Cable Ölflex Crane	18 x 1 mm <sup>2</sup>	19,2 mm Ø	-25°C to +80°C	each meter							
Cable Ölflex Crane	24 x 1 mm <sup>2</sup>	22,1 mm Ø	-25°C to +80°C	each meter							
Cable Ölflex Crane	36 x 1 mm <sup>2</sup>	26,1 mm Ø	-25°C to +80°C	each meter							
KLS	Wired on connector / plug in socket per core										
KLK	Wiring for cable per core										
<b>Special model</b>											
X	Special / customer specified										
X1	Housing antistatic design < 10 <sup>9</sup> Ohm/cm										
X2	Finishing colour yellow RAL 1021										

Technical details may vary based on configuration or application! Technical data subject to change without notice!

With chest plate and straps  
with multi-axis controllers



Cable entry  
with anti-kink protection  
and strain relief or connectors



With adjustable carrying strap  
with multi-axis controllers

