

# Portable Control Unit TS3



The Portable Control Unit TS3 is used for controlling and monitoring the equipment. The abdominal belt enable the operator to carry it without becoming tired. The equipment can be individually designed.

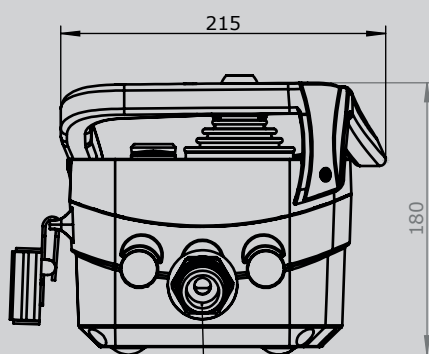
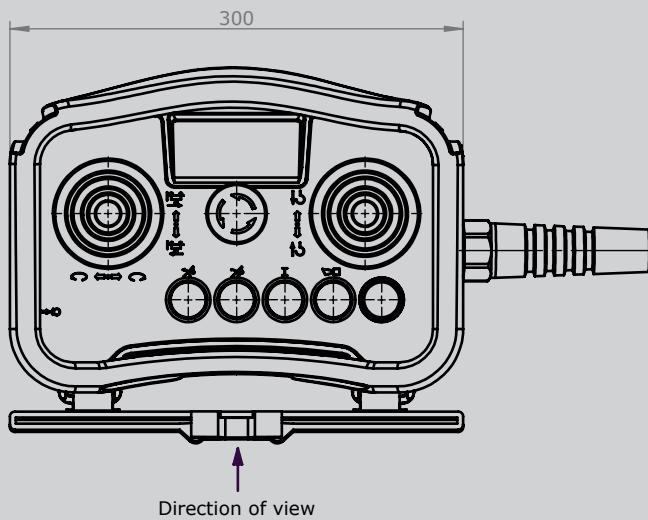
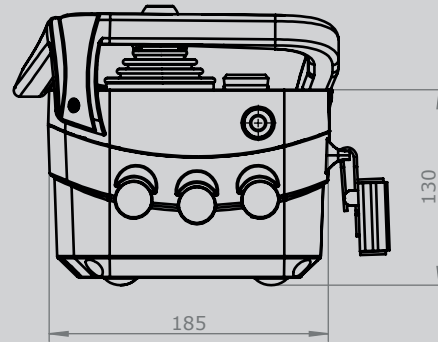
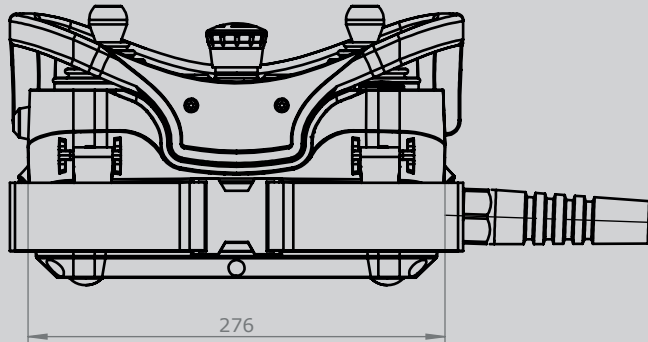
## Technical data:

Operation temperature	-40°C to +85°C
Degree of protection	IP65



		Example									
		TS3	-1	-K1	-G1	/	V...	/	KLS	/	X
<b>Basic unit</b>											
TS3	Portable Control Unit with abdominal belt										
<b>Colour</b>											
1	red / black										
2	gray / black										
<b>Attachment</b>											
K 1	Cable entry M25 cable 11 - 21 mm with bend protection										
K 2	Cable entry M32 cable 19 - 28 mm with bend protection										
G1	Engraving plate <i>Indicating labels engraved for Multi-axis-/ Single-Axis Controller</i>										
<b>Mounting for equipment boxes</b>											
V	Multi-Axis Controller (see page 1)										
N	Control-Switch (see page 113)										
<i>More command and indicating devices (see page 137 and 243)</i>											
<b>Cable and wiring</b>											
Cable Ölflex Classic FD 810 P	18 x 1 mm <sup>2</sup>	13,9 mm Ø	-5°C bis +70°C				each meter				
Cable Ölflex Classic FD 810 P	25 x 1 mm <sup>2</sup>	16,4 mm Ø	-5°C bis +70°C				each meter				
Cable Ölflex Classic FD 810 P	34 x 1 mm <sup>2</sup>	18,9 mm Ø	-5°C bis +70°C				each meter				
Cable Ölflex Crane	18 x 1 mm <sup>2</sup>	19,2 mm Ø	-25°C bis +80°C				each meter				
Cable Ölflex Crane	24 x 1 mm <sup>2</sup>	22,1 mm Ø	-25°C bis +80°C				each meter				
Cable Ölflex Crane	36 x 1 mm <sup>2</sup>	26,1 mm Ø	-25°C bis +80°C				each meter				
KLS	Wired on connector / plug in socket per core										
KLK	Wiring for cable per core										
<b>Special model</b>											
X	Special / customer specified										

with straps and reling  
Protection IP 65  
with multi-axis-controllers IP 54



cable entry  
with anti-kink protection