

# Multi-Axis Controller V1



The V1 is a robust Joystick commonly used in electro-hydraulic applications. The modular design enables the switching device to be used universally. Long life and high reliability is ensured by the latest contactless hall-technology.

## Technical data

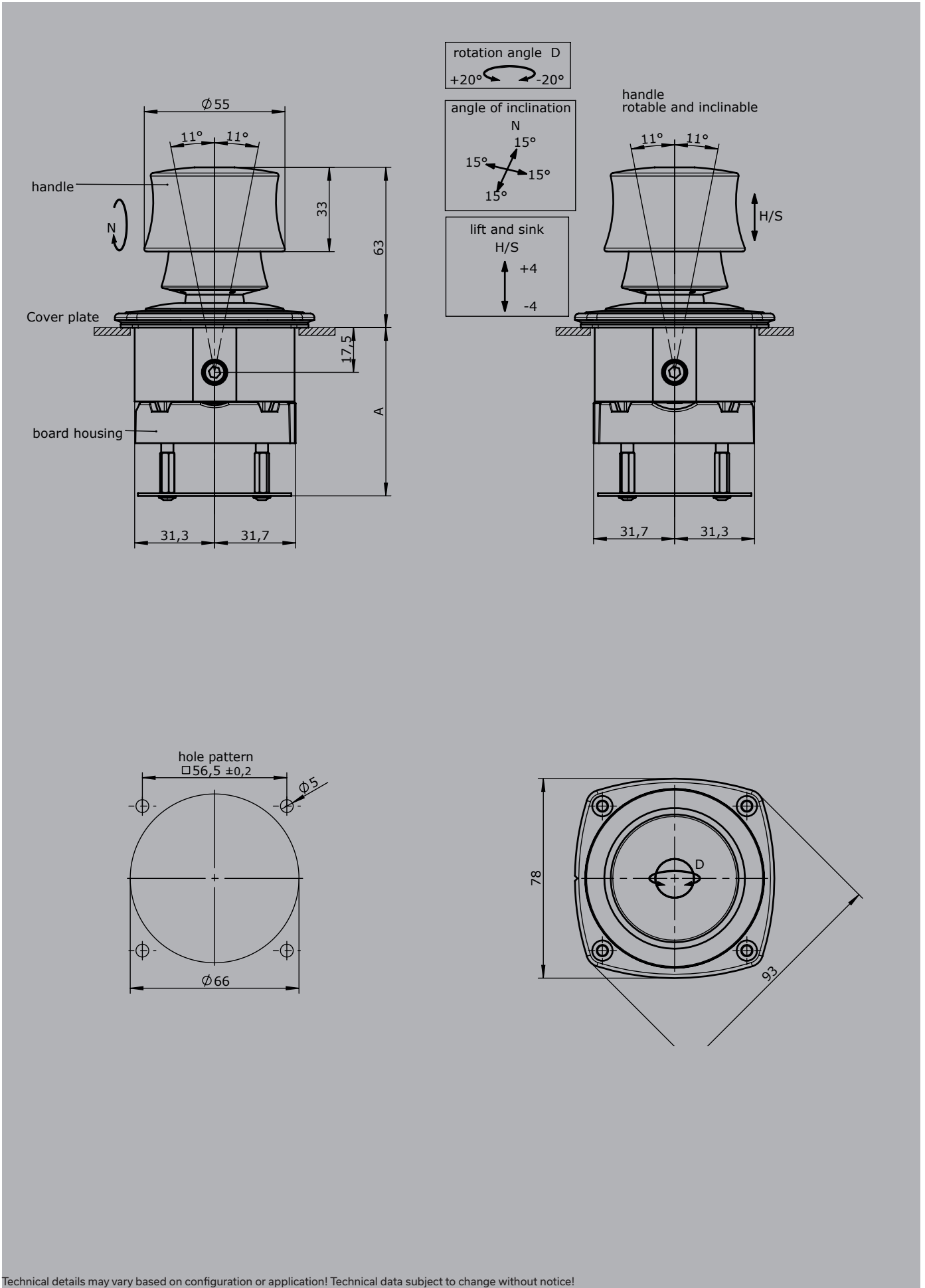
Mechanical life V1	6 million operating cycles
Supply voltage	See interface
Operation temperature	-40°C to +85°C
Degree of protection	up to IP65
Functional safety	PLd compatible (EN ISO 13849, complies SIL2 to DIN EN IEC 61508)



	V1	P	H11	H13	H15	H17	-Z	+Z	-B	-E...	-S...	-X
<b>Basic unit</b>												
V1.1 1-axis												
V1 2-axis												
<b>Gate</b>												
P Cross gate												
PX Special gate												
<b>Grip / Grip functions</b>												
Grip (included in basic unit!)												
H11 Additional axis 1 / Grip up - down												
H13 Additional axis 2 / Grip rotate left - right												
H15 Additional axis 3 / Grip tilt forwards - backwards												
H17 Additional axis 4 / Grip tilt left - right												
<b>Axis 1</b>												
Z Spring return												
R Friction brake												
<b>Axis 2 (not applicable to V1.1)</b>												
Z Spring return												
R Friction brake												
<b>Cover housing</b>												
B Cover housing (included in basic unit!)												
<b>Interface (description see on the following pages)</b>												
E1xx Voltage output												
More interfaces on request!												
<b>Plug connectors</b>												
S... Standard plug connectors (see page 120)												
<b>Special model</b>												
X Special / customer specified												

Technical details may vary based on configuration or application! Technical data subject to change without notice!

Voltage output (not stabilized)		
Supply voltage	4,75-5,25V DC	
Current carrying capacity	Direction signal 8 mA	
Mounting depth A	85 mm	
Wiring	1. cable 14 x 0,25 mm <sup>2</sup> 500 mm long without plug connector	
	Optional with plug connector ( <i>standard plug connectors see page 120</i> )	
0,5...2,5...4,5V redundant signals per axis		
	1 axis	E103 1
	2 axis	2
	3 axis*	3
	4 axis*	4
	5 axis*	5
	6 axis*	6
<b>Output options</b>		
Characteristic:		
	Inverse dual	1
	Dual	2
	Inverse dual with dead zone +/- 3° (standard)	3
	Dual with dead zone +/- 3°	4
<i>More outputs on request!</i>		



Technical details may vary based on configuration or application! Technical data subject to change without notice!